



Super Bingo

Rotary mower





EC Declaration of conformity for machines

Manufacturer: Votex B.V.
Adresse : Groen 2
Code postal : 6666 LP
Town: HETEREN (Netherlands)

declare that the following machines

Votex Super Bingo types 2/170 – 3/220 – 3/260 – 3/300 – 4/345 and 5/475
nr.....

- meets the requirements of the directive

Directive 98-37-EC

and the national legislation concerning the execution of this directive

- meets the requirements of further EEC directives (only fill in if applicable)

and further declare that ;

the following (parts of) harmonised norms have been applied

- EN 292-1 1994 / EN 292-2 1996
- EN 745 1999

Heteren

A handwritten signature in black ink, appearing to be "P. Krieckaert", written over a dotted line.

.....
(signature)

P.Krieckaert
General Manager.

User's Manual and Parts Book Votex Super Bingo rotary mower

Applicable to the following types:

Super Bingo 2-170
Super Bingo 3-200
Super Bingo 3-260
Super Bingo 3-300
Super Bingo 4-345
Super Bingo 5-475

Delivered since January 2001

HK 001

Internet : www.votex.nl
E-mail : export@votex.nl

VOTEX B.V.
P.O.Box 30
6666 ZG HETEREN
The Netherlands
tel +31(0)26-4790600
fax +31(0)026-4790602

Contents

	Page
1. Introduction	4
2. Safety	5
1. Safety instructions	5
2. Pictograms	10
3. Identification plate	10
3. Technical specifications	12
4. Transport and storage of the mower	12
5. Putting the mower into operation	12
1. Coupling the mower to the tractor	13
2. Mounting the universal joint shaft	13
3. Front to 'pulled' conversion of the mower or vice versa	13
4. Changing from 540 to 1000 rpm or vice versa	14
6. Working with the mower	15
1. PTO shaft speed	15
2. Adjusting the cutting height	15
3. Vibrations in the mower	16
4. Uncoupling the mower	16
7. Maintenance	16
1. Blades	16
2. Readjusting the bearing houses	17
3. V-belt tensioning and replacement	18
4. Gearbox	19
5. Greasing points	19
6. Winter storage	20
8. Options	20
1. Back roller	20
2. Swivel wheels	21
3. Front-trailed linkage	21
4. Chain guard	21
9. Scrapping the machine	21
10 Appendix	21
A. Ordering parts	22
B. Liability and warranty	22
C. Notes	23
D. Conversion table	24
E. Tightening moments	24

1. Introduction

You have acquired a Votex Super Bingo mower. We wish you much success with this mower and thank you for your confidence in our organization.

This manual is intended for end users and service engineers.

It contains complete information about safety, operation and maintenance. We urge you to study this manual carefully, and then keep it in a safe place for future reference.

This will not only ensure proper operation of the mower but will also prevent accidents so that the requirements with respect to product liability and warranty are met as well.

The Votex Super Bingo mower is a machine with which plant growth is cut by blades fixed to a fast-rotating shaft, then reduced and thrown back to the ground through the cutting head.

The mower is intended to be mounted to a tractor to cut grass and weeds in/on:

- Orchards
- Playing fields
- Recreation areas and camping grounds
- Pastures

Important! Any other use is not in accordance with the intended purpose!

Votex SUPER BINGO	2-170	3-220	3-260	3-300	4-345	5-475
Nominal power	20 kW	24 kW	28 kW	33kW	37kW	45kW

The tractor operator must be appropriately qualified and have experience in driving tractors.

The Votex Super Bingo rotary mower must not be used for mowing operations in the vicinity of areas presenting fire and/or explosion hazards.

The mower may be used only when it rests on the ground with its full width.

Votex B.V. is constantly working on improving its products. It therefore reserves the right to make any such changes, modifications and/or improvements as it deems necessary. However, this does not imply any obligation on its part to make such changes, modifications and/or improvements to machines previously supplied.

2.1. Safety instructions.

This symbol points to acute danger to the life and/or health of human beings and animals!



This symbol is a warning of possible damage to the mower if the user does not follow the instructions.

TIP

This gives the user suggestions/recommendations for performing certain tasks safer and easier.

- Study the user's manual thoroughly so that you will be aware of situations that may cause danger. Make sure you are familiar with the operation of the tractor, and, in particular, how to stop it in an emergency. It will be too late for this during operations! Pass all safety instructions on to other users.
- Never let the blades run when the machine is not resting entirely on the ground!
- The exhaust gases of combustion engines contain carbon monoxide, an odourless and lethal poison. So, never let the tractor engine run in a confined space!
- In addition to the specific directions contained in this user's manual, also observe the general regulations in force with regard to safety and the prevention of accidents!
- The plates/pictograms on the machine provide important directions for safe use. Following the directions will serve your own safety. Replace any damaged plates/pictograms!
- Wear ear protectors at noise levels exceeding 85 dB(A)! Never when using public roads, however!
- Wear close-fitting clothes when using the machine!
- When using public roads, always observe the road traffic regulations in force!
- Tractors with machines attached to them may be driven only by appropriately qualified persons with sufficient experience!
- Observe the maximum admissible transport dimensions!
- If necessary, fit a lighting beam and/or warning signs!
- For road transport, put the machine into the appropriate position (if provided), and lock it in accordance with directions!

- When driving on the road with the machine raised, make sure the operating lever of the lifting device has been secured against lowering!
- Before using the machine and tractor, always inspect them for safety with regard to work and traffic!
- Do not take any passengers to ride along with you on any part, irrespective of their age!
- If necessary, fit front weights at the appropriate points always in accordance with the pertinent instructions. Observe the requirements for the maximum admissible axle load/total weight and the minimum front axle load required (road traffic regulations)!
- Hoses, cables and the like such as for cylinders and lighting are to be disposed in such a way that they cannot be damaged under any transport and operating conditions, or activate any unintended movements or impede necessary functions!
- When taking bends, always bear in mind the greater width/length (turning circle) and/or the greater mass (inertia) of the mower!
- Before driving off and putting the mower into operation, look around the mower and tractor! Make sure you have an unobstructed view!
- It is prohibited to come within the mower's working and danger range.



Keep your distance! Objects (stones and the like) may be hurled away

- Operate the mower only when it is complete and all safeguards are intact!
- The speed must be adapted to the terrain and working conditions!
- It is dangerous to work with the tractor on slopes!
If you have to work on slopes, however, then do so carefully and without making any sudden turns in order to prevent the tractor from toppling over!
Do not mow with the machine on slopes having a gradient of more than 5%!
- Mow only in daylight or good artificial light!
- Remove any objects from the terrain to be mown that could be picked up by the mower and hurled away!



RESIDUAL RISK! The safety guards on the Votex mowers meet the relevant requirements as set by the European Commission! Nonetheless, there will be some residual risks to be taken into account.

Objects in the terrain may be picked up and hurled away by the blades! This may cause serious injury or damage up to a distance of about 50 metres!

In order to minimize this risk, act in accordance with the following safety recommendations:

1. Always proceed in accordance with the requirements of the road maintenance authority and observe the local ordinances and regulations.
2. If possible, close off roads, cycles paths, footpaths or bridle paths. If this is not feasible, use a mobile road barrier so that road users will stay at a safe distance from the machine.
3. Close off navigable waterways when you have to mow along them. If this is not feasible, put up warning signs!

- After bumping into an obstacle, check the mower for any damage.
- Immediately repair any damage before resuming working with the machine!
- Be careful to avoid toppling over. Work only on a sufficiently solid ground!
- The following measures must be taken when leaving the tractor and/or when work is to be done on the machine or universal joint shaft:
 - switch off the PTO shaft,
 - put the gear lever of the tractor into neutral,
 - pull the parking brake of the tractor,
 - set the machine entirely down.
 - stop the tractor engine and remove the key from the ignition lock.
 - always wait for the blades to stop completely!



Machine is still coming to a standstill! Stay away from rotating parts until they have stopped completely!

- Proceed very carefully when coupling and uncoupling the mower or the tractor. Be particularly alert to the danger of getting trapped due to accidental operation of the lifting device. Secure the machine laterally by sufficiently tightening the stabilizers.



Stay outside the link-motion range of moving parts!

Universal joint shaft:

- Only use the universal joint shaft with freewheel specified by the manufacturer!
- Protecting tubes and guards at the universal joint shaft as well as the guards on tractor and machine must be properly fixed and in good condition.
- Ensure the specified overlapping of universal joint shaft halves and protecting tubes (see user's manual of universal joint shaft manufacturer)!
- The universal joint shaft may be coupled and uncoupled only when the tractor engine has stopped and the ignition key has been removed!
- Always ensure that the universal joint shaft is properly mounted and blocked!
- Secure the guard of the universal joint shaft against turning with the shaft by fastening both chains to a fixed point on the tractor and machine sides!
- Before switching on the PTO shaft, make sure that the speed and direction of rotation of the PTO shaft correspond to the machine to be driven! The speed and direction of rotation are indicated on the mower by a pictogram!
- The r.p.m. indicated must never be exceeded!
- Never switch the PTO shaft on when the engine is not running!
- Stay away from a rotating universal joint shaft!
- Always switch the PTO shaft off when the angles of the universal joints threaten to become too great!
- Place the uncoupled universal joint shaft into the holder provided for this purpose on the three-point linkage!
- Fix the protective bush onto the PTO shaft of the tractor as soon as the universal joint shaft has been uncoupled!

Maintenance and inspections:



Maintenance and inspections on the underside of the machine must never be carried out when the machine is held only by the tractor lifting device. Always take special precautions in order to prevent an unexpected fall of the machine. Use a tackle or horse having a minimum carrying capacity suitable for holding the mass of the machine indicated on the identification plate!



Vibrations in the mower are usually caused by the blades being out of balance. These vibrations may cause serious damage to the mower. Therefore, when during mowing operations there is a clearly noticeable increase in vibrations or change in sound produced by the mower, stop operations immediately, locate the cause and eliminate it before continuing the work!

- Regularly check the condition of the blades.
- The blades should be equally worn on both sides!
- Regularly check the condition of the steel cable between the three-point linkage and cutting-head cover. Replace the cable as soon as it shows signs of fraying or other damage!
- Bent blades must be replaced immediately!
- If swinging blades or swinging cutting/chopping blades are used:
 - Regularly check the bolted connections by which the swinging blades or swinging cutting/chopping blades are fixed to the blade holders. After they have been detached, always fit a new check nut!
 - Regularly check the degree of wear and the condition of the blade bushes, the fixing holes of the swinging blades or swinging cutting/chopping blades and the fixing holes of the blade holders! For the minimum dimensions required, see figure 7.1.2 in chapter 7.
 - Regularly check the condition of the guards and replace them if necessary!
- Only such persons are allowed to work with and/or on the mower as are perfectly familiar with it and well aware of possible dangers!
- Any and all work to be done on the mower is allowed to be carried out only with solid and proper tools!

Pictograms (see figure 2.1.):

1. Before putting the machine into service, read the user's manual and safety instructions and observe them (Votex no. 20.10.604)
2. Direction of rotation and maximum speed of the PTO shaft for rear mounting
540 rpm (Votex no. 20.10.600)
1000 rpm (Votex no. 20.10.602)
3. Do not touch any rotating parts before the machine has come to a standstill (Votex no. 20.10.605)!
4. Keep your distance from rotating blades (Votex no. 20.10.606)!
5. Before carrying out any maintenance and repairs, shut down the engine and remove ignition key (Votex no. 20.10.609)!
6. Lift the machine only at the lifting lug (Votex no. 20.10.610).
7. When operating the lifting device, stay outside the lifting range of the three-point linkage (Votex no. 20.10.611)!

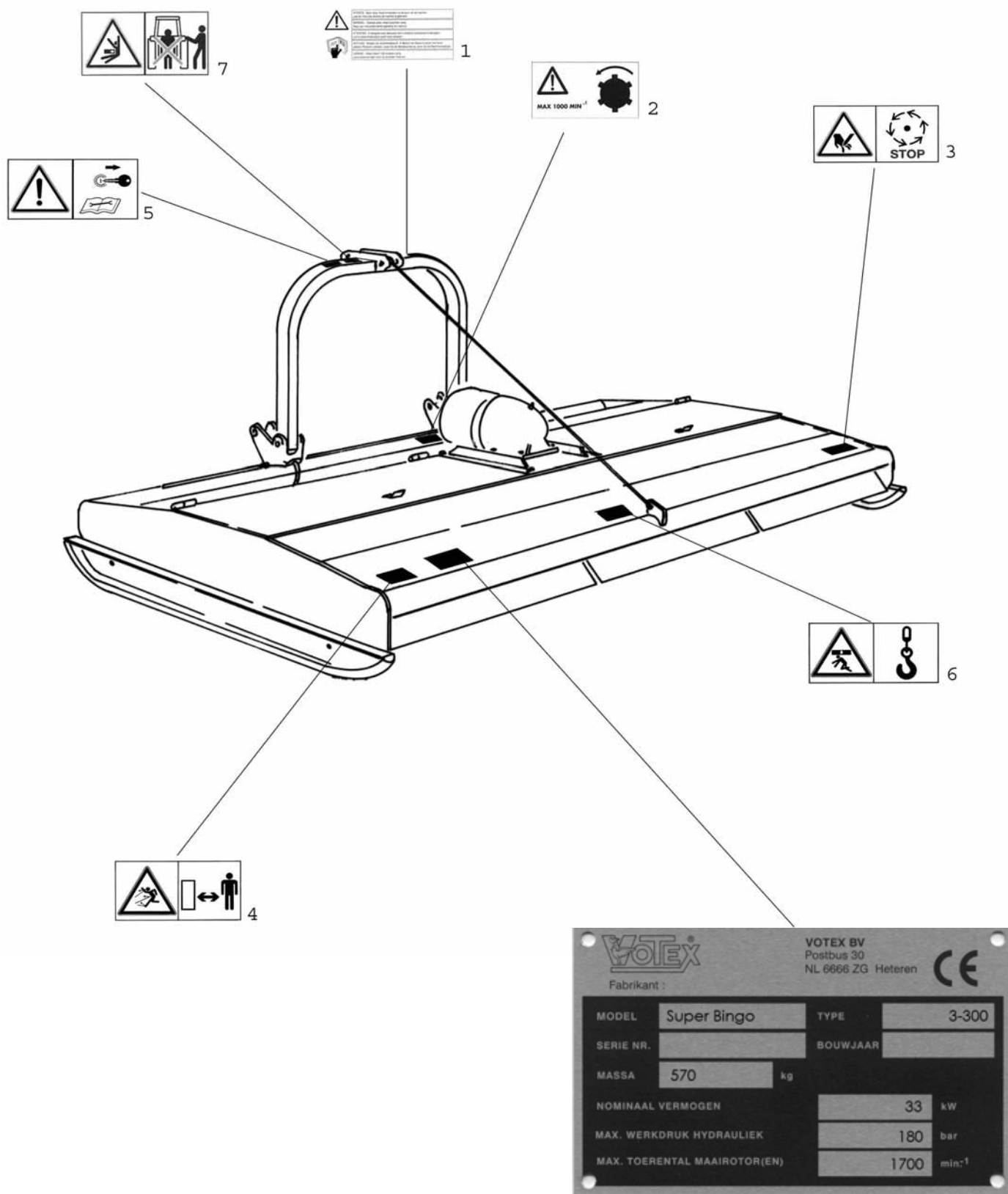
2.3. Identification plate.

The identification plate is provided on the cutting head.

The plate contains the following data:

- Brand name : VOTEX
- Name and address of manufacturer : Votex B.V.
Groen 2
6666 LP HETEREN
The Netherlands
- CE marking : CE
- Model : SUPER BINGO
- Type : 2-170; 3-220; 3-260; 3-300; 4-345 ;
5-475
- Serial number :
- Year of construction :
- Mass : 455; 500; 535; 570; 610 and 725 kg
- Nominal power : 20; 24; 28; 33; 37 and 45 kW
- Max. hydraulic operating pressure : 180 bar
- Max. rpm of blade shafts : 1700 rpm

Figure 2.1 Pictograms and identification plate



3. Technical specifications

Type	2-170	3-220	3-260	3-300	4-345	5-475
Working width in cm	173	218	258	286	343	475
Transport width in cm	190	230	270	299	356	489
Cutting height in cm	2-15	2-15	2-15	2-15	2-15	2-15
Mass in kg	455	500	535	570	610	725
Mounting category	II	II	II	II	II	II
Mounting	Front or trailed	Front or trailed	Front or trailed	Front or trailed	Front or trailed	Front or trailed
Nominal power in kW	20	24	28	33	37	45
PTO shaft rpm	540/1000	540/1000	540/1000	540/1000	540/1000	540/1000
Max. rpm of blade shafts	1700	1700	1700	1700	1700	1700
Number of blades + blade length in mm	2-880	3-730	3-880	3-970	4-880	5-970

For all types, the sound pressure produced at normal operating speed amounts to 95 dB(A), measured at a height of 1.60 m and at a distance of 1 m from the mower.

4. Transport and storage of the mower

When transporting the mower at the rear of the tractor, the stabilizers of the lifting device must be sufficiently tightened to fix the machine sideways.

Machines having a width of 3 metres or more are not allowed to be transported in the lifting device on public roads without lengthways transport equipment.

The mower can only be moved by lifting it at the lifting lug (see pictogram on cutting head). To this end, first remove the PTO shaft. To move the machine, use a tackle or other lifting gear having a lifting capacity exceeding or equal to the mass to be moved. For this, see the identification plate on the machine.



Place the mower on horizontal solid ground with a minimum strength of 400 kPa (approx. 4 kg / cm²).

5. Putting the mower into operation

Prior to coupling the mower, check whether the data on direction and speed of rotation as stated on the machine (see figure 5.1) correspond to the direction and speed of rotation of the tractor PTO shaft.

Figure 5.1 Speed and direction of rotation



5.1. Coupling the mower to the tractor.

The Votex SUPER BINGO mower can be mounted to tractors using a cat. II linkage mechanism. To couple the mower to the tractor, proceed as follows:

- place the tractor in front of the mower so that the drawbars can be coupled to the machine,
- pull the parking brake of the tractor and put the gear lever(s) into neutral,



When operating the linkage mechanism, stay outside the lifting range of the three-point linkage.

- fix both drawbars to the mower using the lifting-arm pins and fit the spring clips,
- turn off the tractor engine and remove the ignition key,
- mount the universal joint shaft and both chains of the guard,
- mount the top bar and top-bar pin(s), and secure them,
- reduce the lateral play of the mower in the three-point linkage to a minimum.

5.2. Mounting the universal joint shaft.

Before mounting the universal joint shaft, turn off the tractor engine and remove the ignition key. Use the universal joint shaft in accordance with the manufacturer's instructions. For machines equipped with a universal joint shaft with freewheel, the freewheel is to be mounted to the side of the machine. Ensure that the universal joint shaft connections are properly secured to tractor and mower. Only use a complete universal joint shaft guard provided with securing chains which must be properly fastened to the tractor and mower in such a way that the guard cannot turn with the shaft. Take into account all angles that the universal joint shaft may conceivably form. In addition, both the tractor and the machine must be provided at the shaft ends with solid guards overlapping the universal joint shaft guard by at least 50 mm.

5.3 Front to 'pulled' conversion of the mower or vice versa



The universal joint shaft must not be too long. To determine the proper shaft length, you must take into account the upward movements and swinging of the machine and the turning inwards and outwards of the top bar. For mounting, shortening and maintenance, see the user's manual of the universal joint shaft!

When converting from 'pulled' to front, you must take into account the direction and speed of rotation of the PTO shaft of the tractor.

- The procedure described below applies to tractors whose front PTO shaft as viewed from the tractor seat rotates anticlockwise and at 540 rpm. If the front PTO shaft rotates clockwise and at 1000 rpm (as in most cases), you will need another gearbox with a through-going shaft for its mounting (see 5.5).
- Place the mower with its skids on beams so that the cutting head is slightly off the ground.
- Detach the cable(s) between three-point linkage and cutting head by removing the support(s) on the cutting head.
- Remove the three-point linkage from the cutting head by loosening the coupling jaws.
- Remove wheels, if any.
- Mount the three-point link to the other side of the cutting head, and fix the two lugs for fastening the cables opposite their former positions.
- Mount the wheels to the other side of the cutting head.
- Slacken the V-belts (see 7.3).
- Remove the blade from the central boss by removing the central nut.
Caution: left-handed screw thread!
- Remove the central boss and pulley.
- Remove the four bolts securing the gearbox and turn it 180°. Retighten the bolts.
- Mounting is done in reverse order.

5.4 Changing from 540 to 1000 rpm or vice versa

It is possible to change the speed of the machine from 540 to 1000 rpm by installing another gearbox.

- Remove the plates on the cutting head and slacken the V-belts (see 7.3).
- Move the V-belts to the centre of the mower so that they are free from the pulleys on the gearbox.
- Lift the machine to the top position of the lifting device.
- Place the machine on horses or hang it in a tackle at the lifting lug.
Note! To this end, use a tackle or other lifting gear having a minimum lifting capacity exceeding or equal to the mass to be moved. For this, see the machine identification plate.
- Remove the blade from the central boss by removing the central nut.
Caution: left-handed screw thread!
- Remove the central boss and pulley.
- Loosen the four bolts by which the gearbox plate is fixed to the cutting head, and remove the gearbox.
- Installing the new gearbox is done in reverse order.

6. Working with the mower



After the initial 8 running hours, retighten all bolt connections. For the correct tightening moments, see the appendix.

6.1 PTO shaft speed



The PTO shaft speed indicated on the machine must never be exceeded!

The PTO shaft speed indicated on the machine corresponds to a blade shaft speed which ensures the best cutting action.

TIP

It is advisable to set the positioning device during mowing operations in such a way that the mower is slightly supported by the lifting device. Ensure that the cables are slack during mowing operations so that the mower will follow any irregularities in the terrain. During the mowing operations, it is advisable to loosen the stabilizer from the lifting device so that the mower can move sideways behind the tractor.

6.2 Adjusting the cutting height.

The cutting height is adjusted by changing the height of the skids on the side of the machine. If the machine is equipped with a ground roller or wheels, these are used to set the cutting height.



When adjusting a machine equipped with a ground roller or wheels to a higher cutting position, shift the skids downwards until they just touch the ground. Only then will you be working with the mower safely! Mind your own safety and that of others!

When mowing at a greater cutting height (with the Super A or B), ensure the skids are in their lowermost position.

If you decide to install swinging cutting/chopping blades on your machine, the cutting plates under the cutting head must be removed because the blades would hit them! (see figure 6.1.1)

Figure 6.1.1
Cutting plates



6.3 Vibrations in the mower.

When during mowing operations there is a clearly noticeable increase in vibrations or change in sound produced by the mower, then stop operations immediately, locate the cause and eliminate it before continuing the work!

6.4 Uncoupling the mower.

- Pull the parking brake of the tractor and put the gear lever(s) into neutral,
- Lower the machine to the ground,
- Shut down the tractor engine and remove the ignition key,
- Remove the universal joint shaft on the tractor side and place it into the holder provided for this purpose,
- Remove the top-bar and lifting-arm pins,
- Remove the lighting plug if provided.



Place the mower on horizontal solid ground with a minimum strength of 400 kPa (approx. 4 kg / cm²).

7. Maintenance

Inspection and maintenance may be carried out only when:



- The tractor PTO shaft has been switched off
- The lifting device of the tractor is in its lower position
- The tractor engine has been shut down
- The ignition key has been removed

Regularly check the condition of the steel cables between the three-point linkage and the cutting-head cover. Replace it as soon as it shows signs of fraying or other damage!

7.1 Blades.

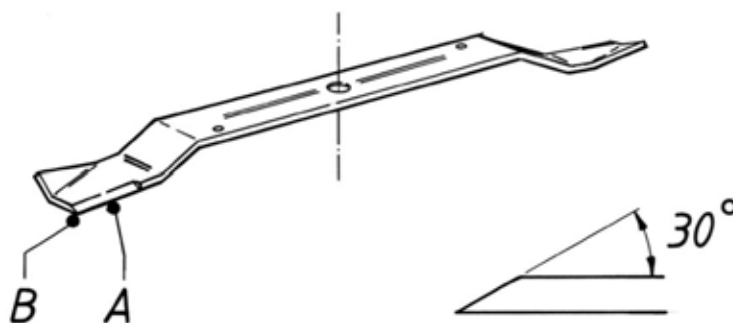
Check from time to time the condition of the cutting blades. If the cutting result leaves to be desired, the blades must be ground or, if necessary, replaced.

Note! When removing the blades, bear in mind that the fixing nut has left-handed screw thread!

When grinding, pay attention to the following: (see figure 7.1.1)

- The cutting edge of the blade has an angle of 30°
- The blade corner (B) must be square. A rounded corner reduces the cutting effect.
- Grind each element of both blades in the same way so that they will not be out of balance.

Figure 7.1.1
Blade maintenance



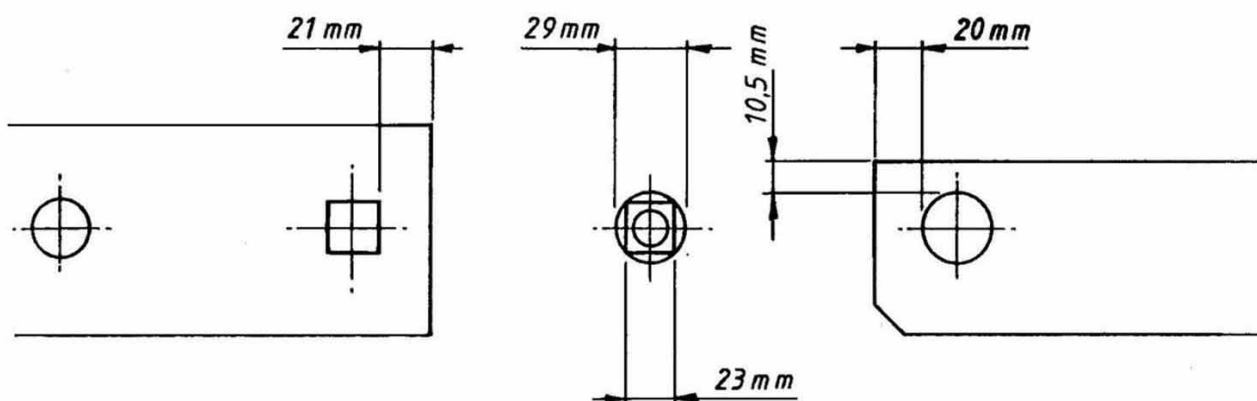
If your machine is provided with swinging blades, regularly check the condition of the blade holders, blade bushes and bolt connections. See also page 9.



Danger!

Never work with a mower whose blade holders, bolt connections, blades or blade bushes do not have the minimum dimensions required! For this, see figure 7.1.2.

Figure 7.1.2
Minimum dimensions.



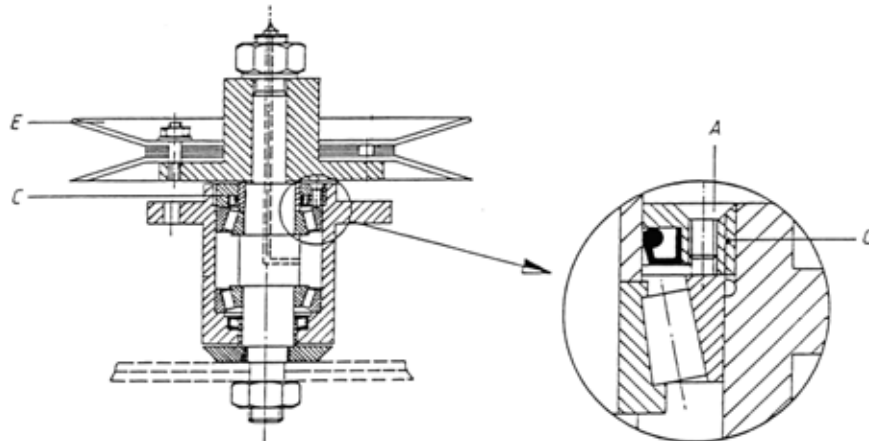
7.2 Readjusting the bearing houses (figure 7.2.1)

The conical bearings in the bearing houses require to be readjusted now and then. This is necessary when play can be felt on the blade shaft (while V-belts are slackened).

Readjustments are effected as follows:

- Remove the V-belts and the V-belt pulleys + boss (see 7.3).
- Loosen the countersunk screw (a) from the adjusting ring.
- Tighten the adjusting ring (c) until you do not feel any play anymore on the blade shaft (left-handed screw thread).
- Then turn the adjusting ring one more centimetre and put the countersunk screw back into place, retightening it.
- Fit the V-belt pulley and the V-belts.

Figure 7.2.1
Readjusting the bearing houses.



7.3 V-belt tensioning and replacement (figure 7.3.1)

The V-belts are tensioned at the driven V-belt pulleys by removing one or more adjusting plates (a) and fitting it/them on top of the pulley (c).

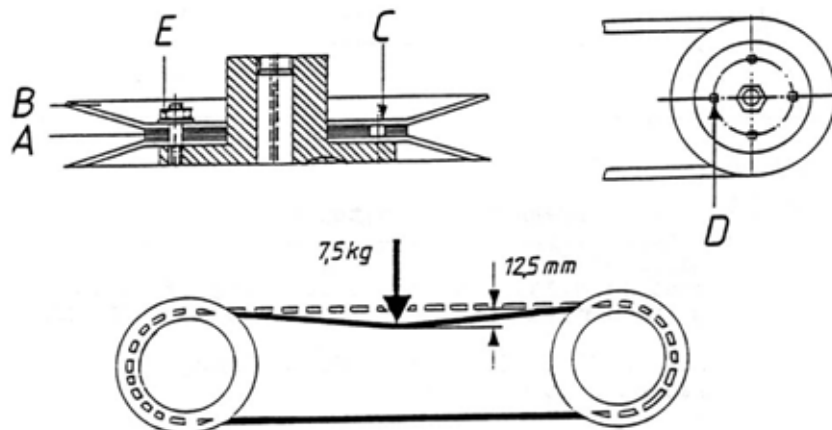
To this end, proceed as follows:

- Remove the four M10 nuts on the V-belt pulley.
- Remove the V-belt from the adjusting plates.
- Remove one or more adjusting plates (depending on the degree of belt slackness).
- Fit the V-belt again round the remaining adjusting plates. In so doing, be careful not to pinch your fingers!
- Fit the upper pulley half with the nuts. Note: tighten de nuts only at the point indicated by D on the drawing (7.3.1.). For the other nuts, rotate the pulley each time a quarter turn.
- Then check the V-belt tension and repeat the above if necessary.



Check the V-belt tension after the first running hour and retension if necessary. The tension is subsequently to be checked at regular intervals.

Figure 7.3.1
V-belt tensioning.



To replace the V-belts, proceed as follows:

- slacken the V-belts as described above,
- free the belts from the outer pulleys,
- detach the gearbox by loosening the 4 nuts of the gearbox plate,
- lift the gearbox a little from the frame and remove the V-belt,
- mounting is done in reverse order.

7.4 Gearbox. (Figure 7.4.1)

The oil content required for the gearbox is 0.9 l of Gear Oil SAE 90 API GL4. The gearbox oil is to be changed after the first 40 running hours and subsequently once a year. The oil is changed as follows:

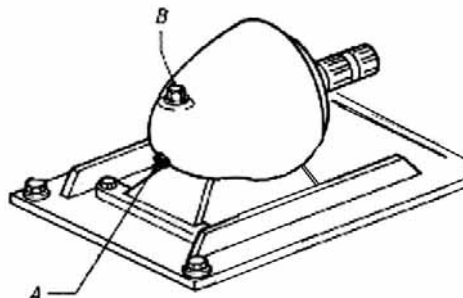
- Clean the drain and fill plugs and surrounding area.
- Remove the PTO shaft.
- Put the mower vertically backwards.



To this end use a tackle or fork-lift truck having a minimum lifting capacity exceeding or equal to the weight of the mower. Take precautions to prevent the mower from dropping or falling over during the work!

- Remove drain plug A and collect the oil.
- Put the mower back into its horizontal position.
- Remove bleed nipple B and fill the box with 0.9 l of oil. The oil should reach exactly the level of the drain plug.
- Fit both plugs.

Figure 7.4.1
Gearbox



7.5 Greasing points. (Figure 7.5.1)

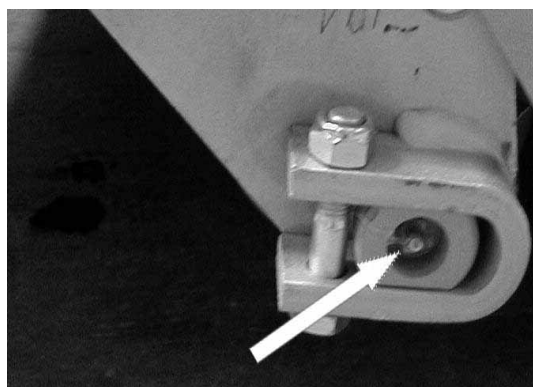
Figure 7.5.1 shows the greasing points to be lubricated daily with multipurpose lithium grease (under very heavy conditions, even several times a day to press any penetrated foreign matter back to the outside)

- Greasing points:
- A. Bearing houses.
 - B. Wheels (if provided)
 - C. Ground roller (if provided)

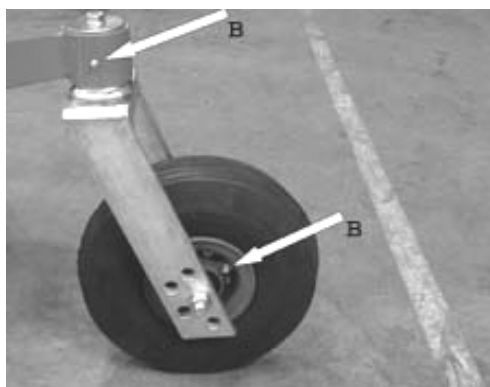
Figure 7.5.1
Greasing points



C



B



7.6 Winter storage.

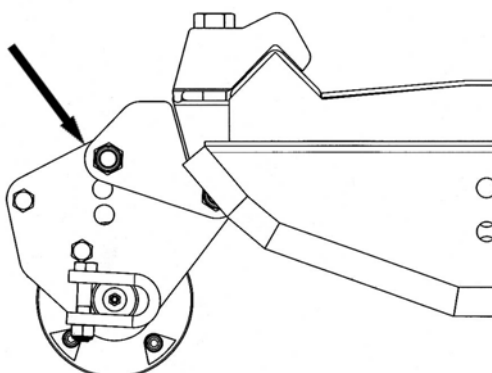
In the event the machine is put out of service for an extended period of time, it will be necessary to perform an intensive cleaning. Thereupon, lubricate all greasing points (see section 9.3) and change the gearbox oil (see section 9.5). After this, have the machine run for a few minutes.

8. Options

8.1 Back roller

The height of the back roller can be adjusted by removing the bolt (see figure 8.1.1) and fit it into another hole.

Figure 8.1.1
Back roller
height adjustment



Votex PT

8.2 Swivel wheels

Height adjustment.

Type with solid wheel: Here, the height can be adjusted by putting the wheel shaft into another hole of the wheel fork.

Type with pneumatic tyre 190x8: Here, the support on the frame can be slid in and out after removing the two bolts.

8.3 Front-trailed linkage

For some Votex SUPER BINGO types, a front-trailed linkage is available. The advantage of this type of linkage is that the machine mounted in the front-trailed position has less tendency to run into the ground. (behaves like a pulled machine)

8.4 Chain guard

To be used on grounds where there is an increased risk of objects being hurled away (such as stones).

9. Scrapping the machine

When the machine is to be scrapped, you must take the following measures:

- Drain the oil from the gearbox.
- Remove the grease from the bearing houses.
- Remove all hydraulic components and collect the oil. (if provided)
- Slide the cylinder a few times in and out, and collect the residual oil. (if provided)
- Remove the grease from the back-roller bearings. (if provided)
- Dispose of the remaining parts as scrap iron.

Appendix

- A. Ordering parts.
- B. Liability and warranty.
- C. Notes.
- D. Conversion table.
- E. Tightening moments.

A. Ordering parts

Your order for parts should contain the following details (see identification plate):

- Model
- Type
- Serial number
- Part number, part name and quantity

For any part whose number cannot be determined with certainty, you may send the original in order to avoid delivery of a wrong part. The parts of the figures in this parts book may show differences with the original because due to design adaptations or improvements a particular part may have been changed prior to the release of a new edition of this book. It is therefore advisable not to rely on the illustrations.

Use original Votex parts only. You will then be assured of excellent quality and a good fit.

B. Liability and warranty

Votex B.V. guarantees the proper operation of your machine for a period of 12 months after delivery, provided the instructions contained in this manual are followed as described.

1. The machine shall be used only by persons who have thoroughly studied this manual beforehand, and are well aware of the dangers that may result from not properly following the pertinent instructions. This also applies to the persons responsible for adjusting and servicing the machine.
2. The machine shall be used only for the specified purposes.
3. The safety instructions must duly observed.
4. Only original Votex parts/components and the specified lubricants must be used.
5. The local safety regulations as in force with regard to the prevention of accidents, transport safety and traffic regulations must be duly observed.
6. **Important!**
This manual applies to the original Votex technical design and construction of your machine. Votex B.V. can therefore not be held responsible and disclaims any liability for any damage resulting from any technical alteration or change independently made to the machine and from the use of any parts other than those from Votex. This provision also applies to the use of any other lubricants, improper or insufficient maintenance and any repairs carried out improperly, without prior consultation with Votex B.V.

7. **Please note that:**
In case this manual is **not** correctly complied with, Votex B.V. cannot be held liable for any warranty claims within the period of guarantee.
8. The terms of delivery and payment used by Votex B.V. are the terms and conditions of the Metaalunie. These have been lodged with the Registry of the Court of Rotterdam. They include the Algemene Handelsvoorwaarden Landbouwwerktuigen en –uitrustingen (AHL) (general terms of business for agricultural machinery and equipment).
9. If the guarantee card and user declaration have not been correctly and completely filled in and returned to Votex B.V. within 14 days after delivery, warranty requests, if any, will not be considered.

C. Notes

All rights reserved.

No part of this book may be reproduced and/or made public by means of reprint, photocopy, microfilm or in any other form whatsoever, without the express prior permission in writing from Votex B.V. This also applies to the accompanying drawings and diagrams.

Votex B.V. reserves the right to adapt parts for improvement at any time, without prior notice to the buyer.

Likewise, the contents of this manual may be changed accordingly without prior notice.

For information about adjustments, settings, maintenance or repairs not covered by this manual, we recommend that you contact the technical department of your supplier.

D. Conversion table

Length

$$1 \text{ m} = 100 \text{ cm} = 1000 \text{ mm}$$

Volume

$$1 \text{ m}^3 = 1000 \text{ dm}^3 = 1000 \text{ l}$$

Force and weight

$$1 \text{ N} = 0.102 \text{ kg (f)} = 0.102 \text{ kp}$$

Pressure and stress

$$1 \text{ bar} = 0.987 \text{ atm} = 100 \text{ kPa} = 100 \text{ kN/m}^2$$

Tightening moment

$$1 \text{ Nm} = 0.102 \text{ kg (f) m}$$

Power

$$1 \text{ kW} = 1000 \text{ W} = 1.36 \text{ pk} = 1.36 \text{ cv} = 1.34 \text{ hp}$$

Number of revolutions

$$1 \text{ omw./min} = 1 \text{ rpm} = 1 \text{ U/min} = 1 \text{ tr/mn} = 1 \text{ min}^{-1}$$

Speed

$$1 \text{ km/h} = 0.278 \text{ m/s}$$

E. Tightening moments

All bolt connections must be tightened according to the table below, unless otherwise stated in the manual or parts list.

Thread	Tightening moment (Nm)
M 8	24
M 10	49
M 12	84
M 14	133
M 16	205
M 18	290
M 20	410

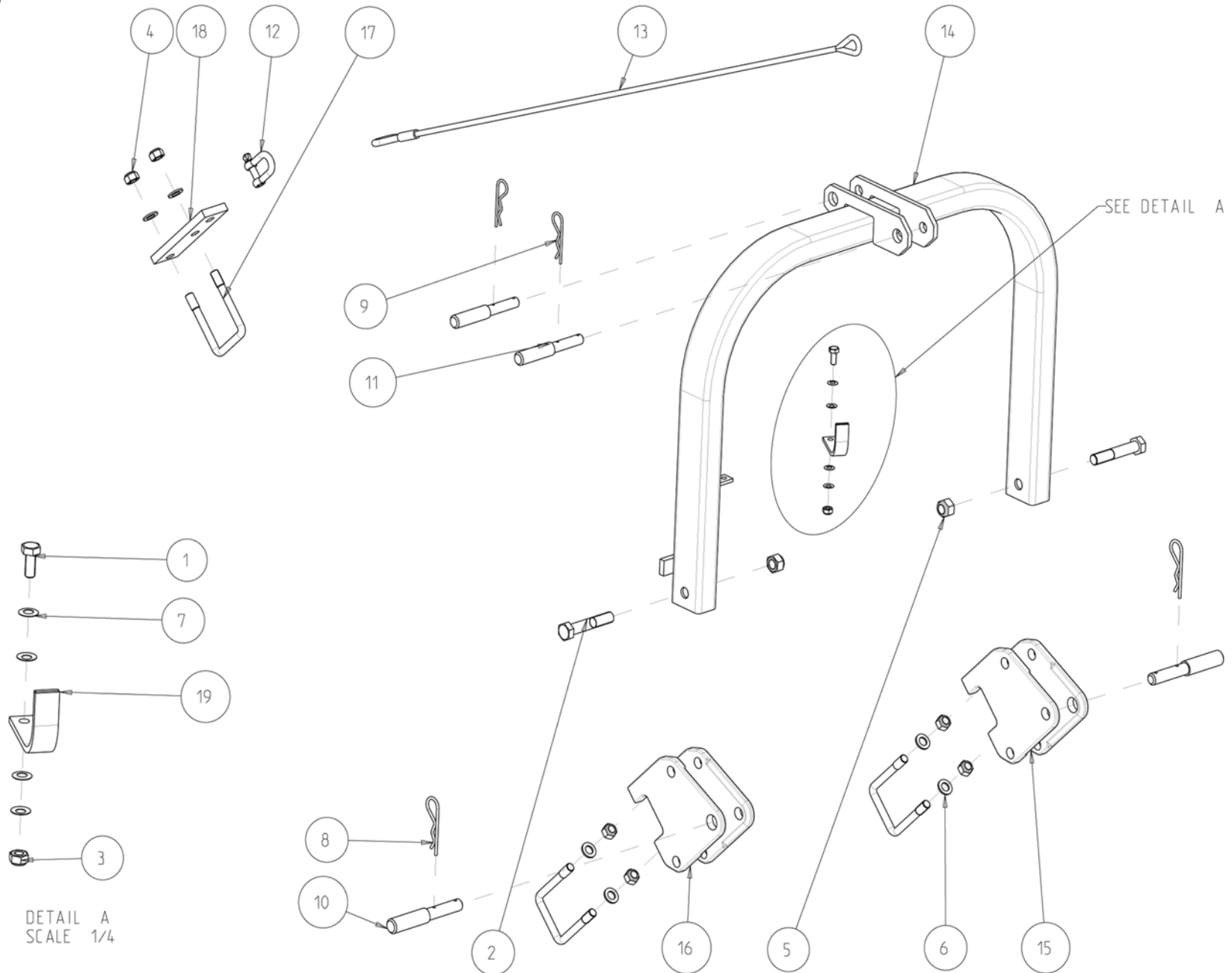
Votex
Super Bingo

Driepuntsophanging

3-points linkage

Attelage 3- points

Dreipunktaufhängung



Votex Super Bingo

no.	onderdeel nummer	type				Driepuntsframe PT 2-3	3-points linkage PT 2-3	Attelage 3-points PT 2-3	Driepunktaufhängung PT 2-3	technische info
		2-170	3-220	3-260	3-300	Omschrijving	Discription	Designation	Beschreibung	
1	10.02.120	1	1	1	1	Zeskanttapbout	Bolt	Vis	Sechskantschraube	M10x25-8.8
2	10.04.268	2	2	2	2	Zeskantbout	Bolt	Vis	Sechskantschraube	M20x110-8.8
3	11.05.010	1	1	1	1	Borgmoer	Lock nut	Écrou autofreiné	Sicherungsmutter	M10
4	11.05.016	6	6	6	6	Borgmoer	Lock nut	Écrou autofreiné	Sicherungsmutter	M16
5	11.05.020	2	2	2	2	Borgmoer	Lock nut	Écrou autofreiné	Sicherungsmutter	M20
6	12.11.016	6	6	6	6	Sluitring	Washer	Rondelle	Unterlegscheibe	M16
7	12.40.010	4	4	4	4	Schotelveer	Disc spring	Rondelle ressort	Tellerfeder	20x10.2x0.5
8	20.01.007	2	2	2	2	Borgveer dubbel	Gripclip double	Goupille beta double	Federstecker doppelt	5mm
9	20.01.029	2	2	2	2	Borgveer dubbel	Gripclip double	Goupille beta double	Federstecker doppelt	4mm
10	20.01.070	2	2	2	2	Werktuigpen	Link pin	Broche	Lenker bolzen	28x22mm
11	20.01.071	2	2	2	2	Topstangpen	Top link pin	Broche troisieme point	Bolzen	25x19mm
12	20.06.004	1	1	1	1	D- sluiting	Shackle	Manille	Gerader schäkel	1/2 "
13	20.07.010	1		1	1	Staalkabel	Steel cable	Cable d'acier	Stahlkabel	10x1450
	20.07.023		1			Staalkabel	Steel cable	Cable d'acier	Stahlkabel	10x1285
14	44.08.151	1	1	1	1	Driepuntsframe	Three points linkage	Attelage trois points	Dreipunkt Aufhängung	
15	44.08.223	1	1	1	1	Aankoppelbek	Couple jaw	Mâchoire d'attelage	Anhängmaul	
16	44.08.226	1	1	1	1	Aankoppelbek	Couple jaw	Mâchoire d'attelage	Anhängmaul	
17	44.08.231	3	3	3	3	Strop	U bolt	Etrier	Klemmbügel	M16-8.8
18	44.08.263	1	1	1	1	Strip	Plate	Plaque	Streife	
19	45.07.573	1	1	1	1	Ophangbeugel	Suspension bracket	Étrier de suspension	Aufhängebügel	

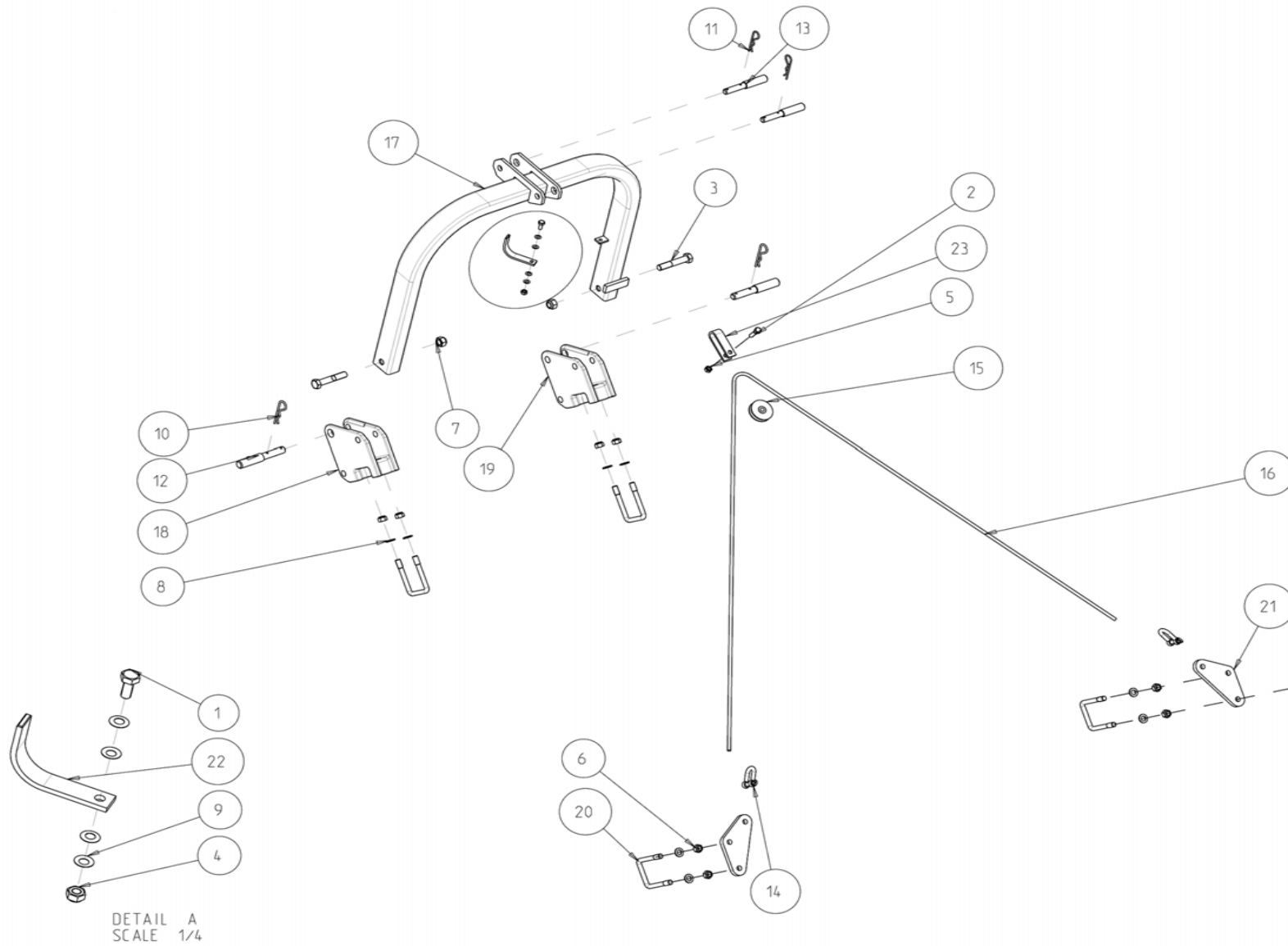
Votex
Super Bingo

Driepuntsophanging

3-points linkage

Attelage 3- points

Dreipunktaufhängung



44.20.019

DETAIL A
SCALE 1/4

Votex Super Bingo

no.	onderdeel nummer	type		Driepuntsframe	3-points linkage	Attelage 3-points	Driepunktaufhängung	technische info
		4-345	5-475	PT 4-5 Omschrijving	PT 4-5 Discription	PT 4-5 Designation	PT 4-5 Beschreibung	
1	10.02.120	1	1	Zeskanttapbout	Bolt	Vis	Sechskantschraube	M10x25-8.8
2	10.04.155	1	1	Zeskantbout	Bolt	Vis	Sechskantschraube	M12x45-8.8
3	10.04.268	2	2	Zeskantbout	Bolt	Vis	Sechskantschraube	M20x110-8.8
4	11.05.010	1	1	Borgmoer	Lock nut	Écrou autofreiné	Sicherungsmutter	M10
5	11.05.012	1	1	Borgmoer	Lock nut	Écrou autofreiné	Sicherungsmutter	M12
6	11.05.016	8	8	Borgmoer	Lock nut	Écrou autofreiné	Sicherungsmutter	M16
7	11.05.020	2	2	Borgmoer	Lock nut	Écrou autofreiné	Sicherungsmutter	M20
8	12.11.016	8	8	Sluistring	Washer	Rondelle	Unterlegscheibe	M16
9	12.40.010	4	4	Schotelveer	Disc spring	Rondelle ressort	Tellerfeder	20x10.2x0.5
10	20.01.007	2	2	Borgveer dubbel	Gripclip double	Goupille beta double	Federstecker doppelt	5mm
11	20.01.029	2	2	Borgveer dubbel	Gripclip double	Goupille beta double	Federstecker doppelt	4mm
12	20.01.070	2	2	Werktuigpen	Link pin	Broche	Lenker bolzen	28x22mm
13	20.01.071	2	2	Topstangpen	Top link pin	Broche troisieme point	Bolzen	25x19mm
14	20.06.004	2	2	D- sluiting	Shackle	Manille	Gerader schäkel	1/2 "
15	20.06.010	1	1	Kabelschijf	Rope pulley	Poelie à cable	Seilrolle	3 "
16	20.07.031	1	1	Staalkabel	Steel cable	Cable d'acier	Stahlkabel	10x3100
17	44.08.151	1	1	Driepuntsframe	Three points linkage	Attelage trois points	Dreipunkt Aufhängung	
18	44.08.223	1	1	Aankoppelbek	Couple jaw	Mâchoire d'attelage	Anhängmaul	
19	44.08.226	1	1	Aankoppelbek	Couple jaw	Mâchoire d'attelage	Anhängmaul	
20	44.08.231	4	4	Strop	U bolt	Etrier	Klemmbügel	M16-8.8
21	44.08.233	2	2	Strip	Plate	Plaque	Streife	
22	45.07.573	1	1	Ophangbeugel	Suspension bracket	Étrier de suspension	Aufhängebügel	
23	47.03.270	1	1	Rolhouder	Roller holder	Support de rouleau	Rollehalter	

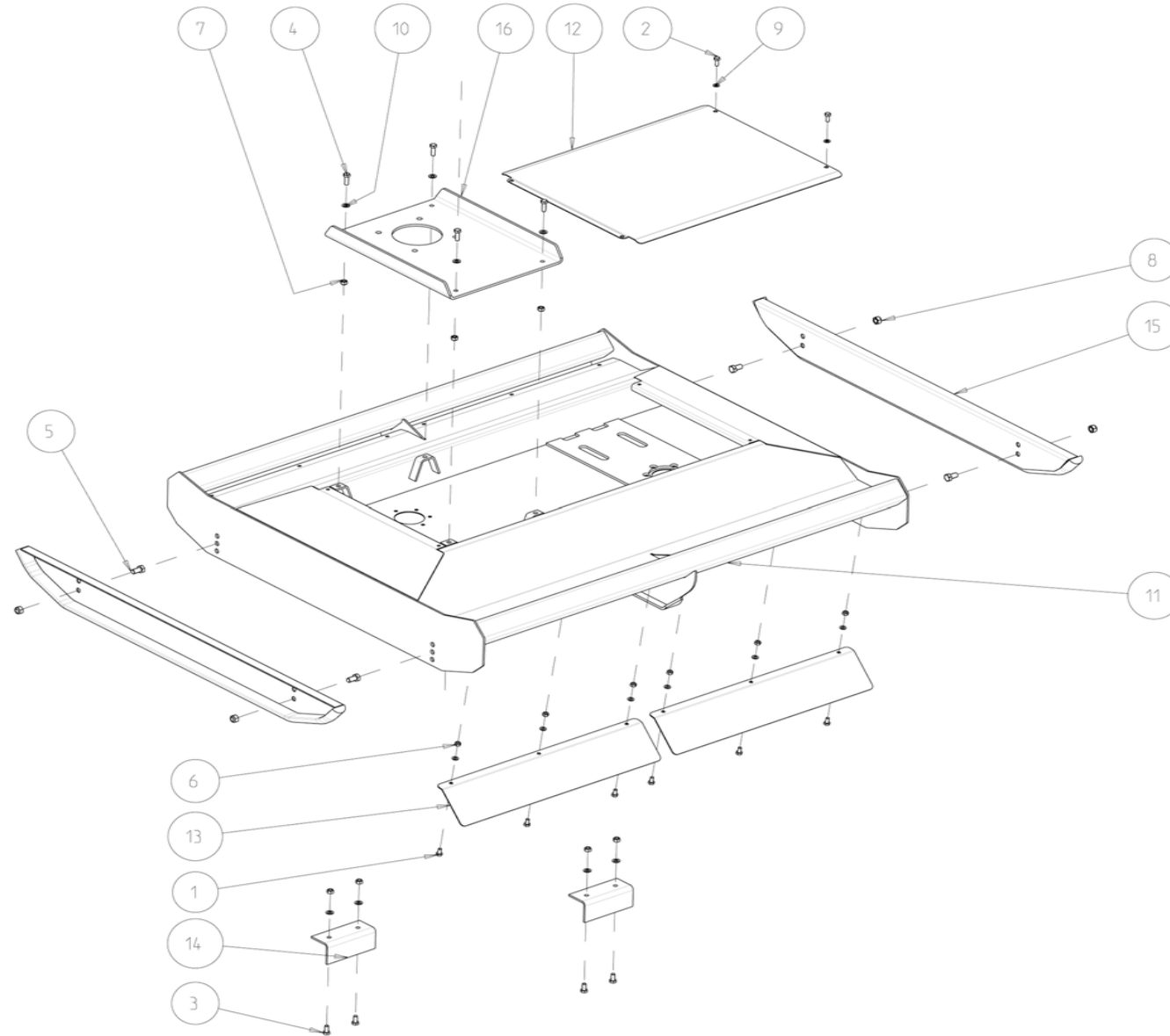
Votex Super Bingo

Maaigedeelte SB2

Cutting house SB2

Carter de broyage SB2

Mähergehäuse SB2



Votex Super Bingo

			Maaigedeelte	Cutting house	Carter de broyage	Mähergehäuse	
			PT- 2	PT- 2	PT- 2	PT- 2	
<u>no.</u>	<u>onderdeel</u>	<u>type</u>	<u>Omschrijving</u>	<u>Discription</u>	<u>Designation</u>	<u>Beschreibung</u>	<u>technische info</u>
	<u>nummer</u>	<u>2-170</u>					
1	10.02.118	6	Zeskanttapbout	Bolt	Vis	Sechskantschraube	M10x20-8.8
2	10.02.120	2	Zeskanttapbout	Bolt	Vis	Sechskantschraube	M10x25-8.8
3	10.02.151	4	Zeskanttapbout	Bolt	Vis	Sechskantschraube	M12x25-8.8
4	10.02.153	4	Zeskanttapbout	Bolt	Vis	Sechskantschraube	M12x35-8.8
5	10.02.204	4	Zeskanttapbout	Bolt	Vis	Sechskantschraube	M16x30-8.8
6	11.05.010	6	Borgmoer	Lock nut	Écrou autofreiné	Sicherungsmutter	M10
7	11.05.012	8	Borgmoer	Lock nut	Écrou autofreiné	Sicherungsmutter	M12
8	11.05.016	4	Borgmoer	Lock nut	Écrou autofreiné	Sicherungsmutter	M16
9	12.11.010	8	Sluitring	Washer	Rondelle	Unterlegscheibe	M10
10	12.11.012	8	Sluitring	Washer	Rondelle	Unterlegscheibe	M12
11	44.01.436	1	Frame	Frame	Châssis	Rahmen	PT 2-170
12	44.04.596	1	V-snaar afschermdeksel	V-belt cover	Protection de courroie	Keilriemen Schutzblech	
13	44.04.600	2	Grasgeleideplaat	Guide plate	Tôle de guidage	Führungsplatte	
14	44.06.160	2	Verhakselplaatje	Chopping strip	Contre lame	Führungsstrebe	
15	44.07.031	2	Leidslof	Skid	Patin	Schleifsohle	
16	44.07.426	1	Tandwielkastplaat	Gearbox plate	Plaque de Boitier	Getriebe platte	

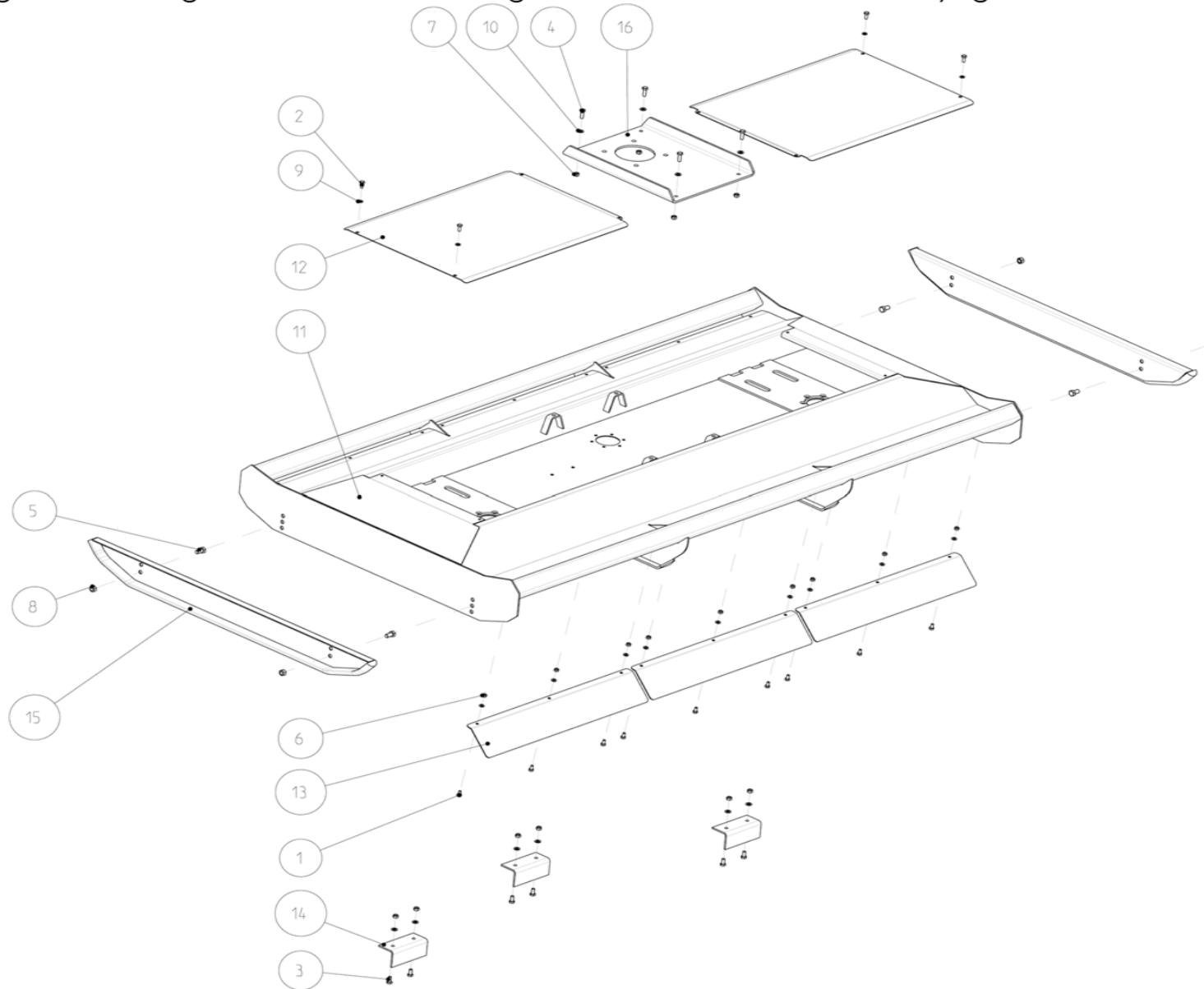
Votex Super Bingo

Maaigedeelte SB3

Cutting house SB3

Carter de broyage SB3

Mähergehäuse SB3



Votex Super Bingo

no.	onderdeel		type		Maaigedeelte	Cutting house	Carter de broyage	Mähergehäuse	technische info
	nummer	3-220	3-260	3-300	PT- 3	PT- 3	PT- 3	PT- 3	
					Omschrijving	Discription	Designation	Beschreibung	
1	10.02.118	9	9	9	Zeskanttapbout	Bolt	Vis	Sechskantschraube	M10x20-8.8
2	10.02.120	4	4	4	Zeskanttapbout	Bolt	Vis	Sechskantschraube	M10x25-8.8
3	10.02.151	6	6	6	Zeskanttapbout	Bolt	Vis	Sechskantschraube	M12x25-8.8
4	10.02.153	4	4	4	Zeskanttapbout	Bolt	Vis	Sechskantschraube	M12x35-8.8
5	10.02.204	4	4	4	Zeskanttapbout	Bolt	Vis	Sechskantschraube	M16x30-8.8
6	11.05.010	9	9	9	Borgmoer	Lock nut	Écrou autofreiné	Sicherungsmutter	M10
7	11.05.012	10	10	10	Borgmoer	Lock nut	Écrou autofreiné	Sicherungsmutter	M12
8	11.05.016	4	4	4	Borgmoer	Lock nut	Écrou autofreiné	Sicherungsmutter	M16
9	12.11.010	13	13	13	Sluitring	Washer	Rondelle	Unterlegscheibe	M10
10	12.11.012	10	10	10	Sluitring	Washer	Rondelle	Unterlegscheibe	M12
11	44.01.440	1			Frame	Frame	Châssis	Rahmen	PT 3-220
	44.01.443		1		Frame	Frame	Châssis	Rahmen	PT 3-260
	44.01.446			1	Frame	Frame	Châssis	Rahmen	PT 3-300
12	44.04.590	2			V-snaar afschermdeksel	V-belt cover	Protection de courroie	Keilriemen Schutzblech	
	44.04.606		2		V-snaar afschermdeksel	V-belt cover	Protection de courroie	Keilriemen Schutzblech	
	44.04.596			2	V-snaar afschermdeksel	V-belt cover	Protection de courroie	Keilriemen Schutzblech	
13	44.04.593	3			Grasgeleideplaat	Guide plate	Tôle de guidage	Führungsplatte	
	44.04.603		3		Grasgeleideplaat	Guide plate	Tôle de guidage	Führungsplatte	
	44.04.600			3	Grasgeleideplaat	Guide plate	Tôle de guidage	Führungsplatte	
14	44.06.160	3	3	3	Verhakselplaatje	Chopping strip	Contre lame	Führungsstrebe	
15	44.07.031		2	2	Leidslof	Skid	Patin	Schleifsohle	
	49.10.010	2			Leidslof	Skid	Patin	Schleifsohle	
16	44.07.426	1	1	1	Tandwielkastplaat	Gearbox plate	Plaque de Boitier	Getriebe platte	

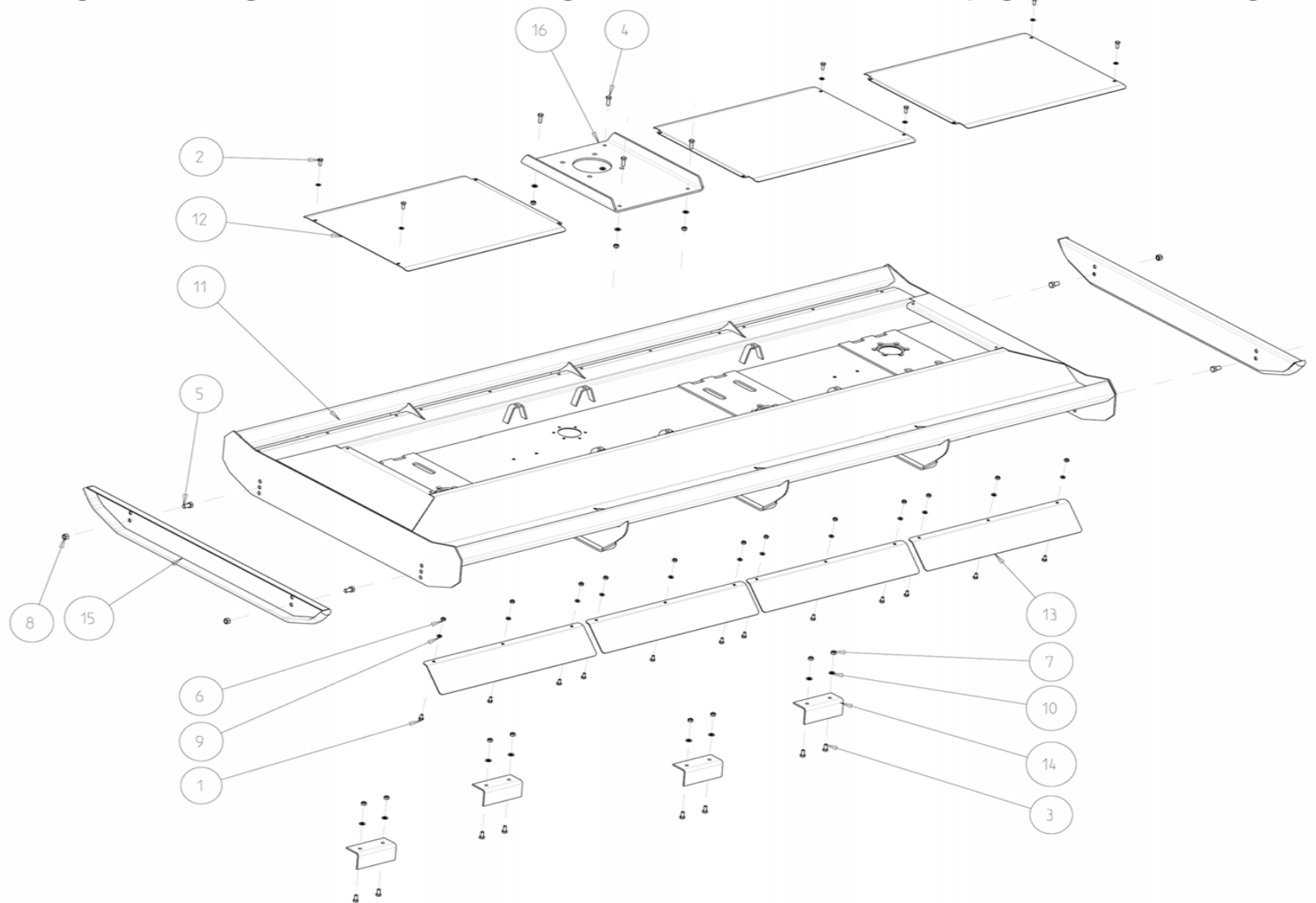
Votex Super Bingo

Maaigedeelte SB4

Cutting house SB4

Carter de broyage SB4

Mähergehäuse SB4



Votex Super Bingo

			Maaigedeelte	Cutting house	Carter de broyage	Mähergehäuse	
			PT- 4	PT- 4	PT- 4	PT- 4	
<u>no.</u>	<u>onderdeel</u>	<u>type</u>	<u>Omschrijving</u>	<u>Discription</u>	<u>Designation</u>	<u>Beschreibung</u>	<u>technische info</u>
	<u>nummer</u>	<u>4-345</u>					
1	10.02.118	12	Zeskanttapbout	Bolt	Vis	Sechskantschraube	M10x20-8.8
2	10.02.120	6	Zeskanttapbout	Bolt	Vis	Sechskantschraube	M10x25-8.8
3	10.02.151	8	Zeskanttapbout	Bolt	Vis	Sechskantschraube	M12x25-8.8
4	10.02.153	4	Zeskanttapbout	Bolt	Vis	Sechskantschraube	M12x35-8.8
5	10.02.204	4	Zeskanttapbout	Bolt	Vis	Sechskantschraube	M16x30-8.8
6	11.05.010	12	Borgmoer	Lock nut	Écrou autofreiné	Sicherungsmutter	M10
7	11.05.012	12	Borgmoer	Lock nut	Écrou autofreiné	Sicherungsmutter	M12
8	11.05.016	4	Borgmoer	Lock nut	Écrou autofreiné	Sicherungsmutter	M16
9	12.11.010	18	Sluitring	Washer	Rondelle	Unterlegscheibe	M10
10	12.11.012	12	Sluitring	Washer	Rondelle	Unterlegscheibe	M12
11	44.01.450	1	Frame	Frame	Châssis	Rahmen	PT 4-345
12	44.04.596	3	V-snaar afschermdeksel	V-belt cover	Protection de courroie	Keilriemen Schutzblech	
13	44.04.600	4	Grasgeleideplaat	Guide plate	Tôle de guidage	Führungsplatte	
14	44.06.160	4	Verhakselplaatje	Chopping strip	Contre lame	Führungsstrebe	
15	44.07.031	2	Leidslof	Skid	Patin	Schleifsohle	
16	44.07.426	1	Tandwielkastplaat	Gearbox plate	Plaque de Boitier	Getriebe platte	

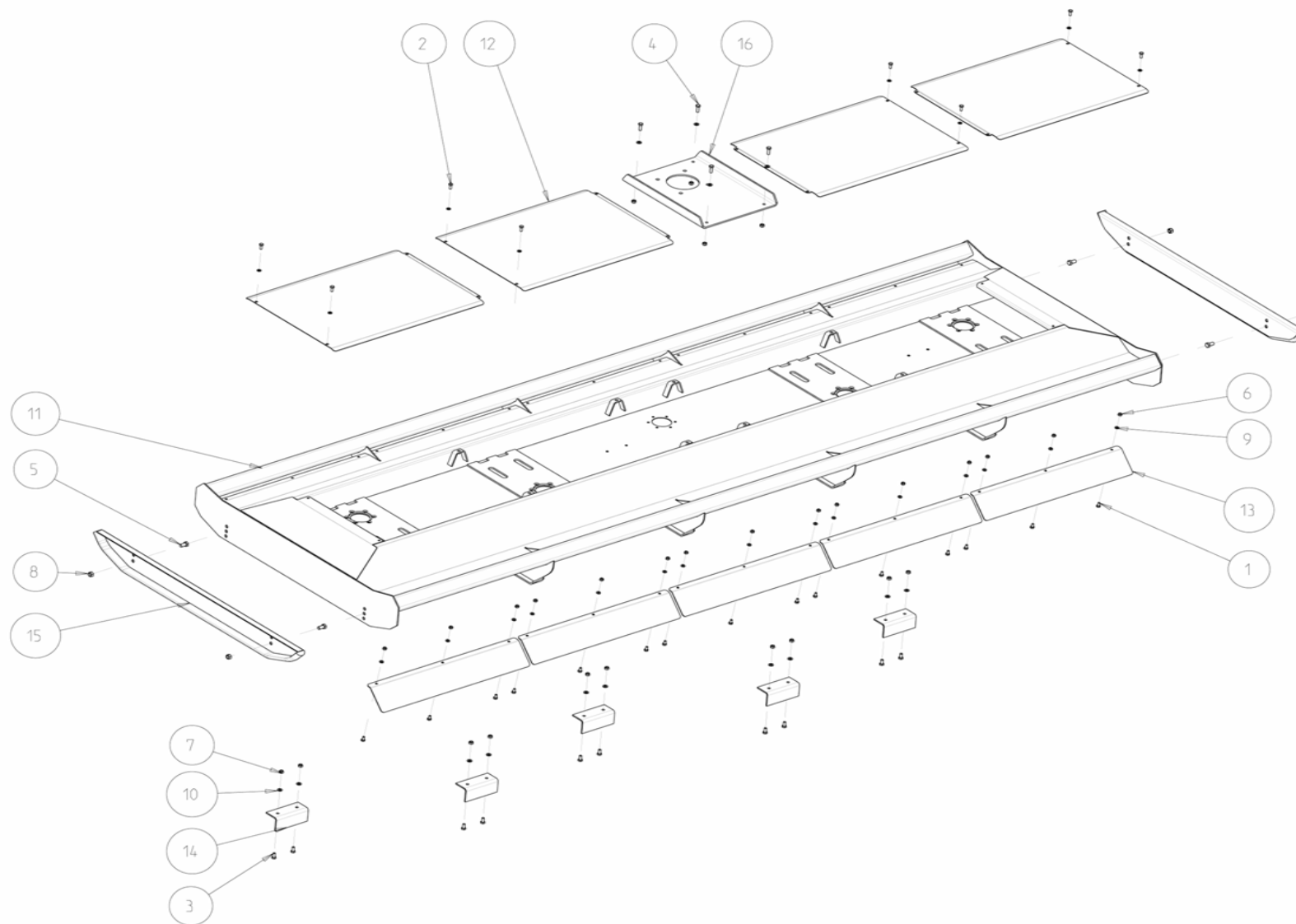
Votex Super Bingo

Maaigedeelte SB5

Cutting house SB5

Carter de broyage SB5

Mähergehäuse SB5



Votex Super Bingo

			Maaigedeelte	Cutting house	Carter de broyage	Mähergehäuse	
			PT- 5	PT- 5	PT- 5	PT- 5	
<u>no.</u>	<u>onderdeel</u>	<u>type</u>	<u>Omschrijving</u>	<u>Discription</u>	<u>Designation</u>	<u>Beschreibung</u>	<u>technische info</u>
	<u>nummer</u>	<u>5-475</u>					
1	10.02.118	15	Zeskanttapbout	Bolt	Vis	Sechskantschraube	M10x20-8.8
2	10.02.120	8	Zeskanttapbout	Bolt	Vis	Sechskantschraube	M10x25-8.8
3	10.02.151	10	Zeskanttapbout	Bolt	Vis	Sechskantschraube	M12x25-8.8
4	10.02.153	4	Zeskanttapbout	Bolt	Vis	Sechskantschraube	M12x35-8.8
5	10.02.204	4	Zeskanttapbout	Bolt	Vis	Sechskantschraube	M16x30-8.8
6	11.05.010	15	Borgmoer	Lock nut	Écrou autofreiné	Sicherungsmutter	M10
7	11.05.012	14	Borgmoer	Lock nut	Écrou autofreiné	Sicherungsmutter	M12
8	11.05.016	4	Borgmoer	Lock nut	Écrou autofreiné	Sicherungsmutter	M16
9	12.11.010	23	Sluitring	Washer	Rondelle	Unterlegscheibe	M10
10	12.11.012	14	Sluitring	Washer	Rondelle	Unterlegscheibe	M12
11	44.01.453	1	Frame	Frame	Châssis	Rahmen	PT 5-475
12	44.04.590	4	V-snaar afschermdeksel	V-belt cover	Protection de courroie	Keilriemen Schutzblech	
13	44.04.593	5	Grasgeleideplaat	Guide plate	Tôle de guidage	Führungsplatte	
14	44.06.160	5	Verhakselplaatje	Chopping strip	Contre lame	Führungsstrebe	
15	44.07.031	2	Leidslof	Skid	Patin	Schleifsohle	
16	44.07.426	1	Tandwielkastplaat	Gearbox plate	Plaque de Boitier	Getriebe platte	

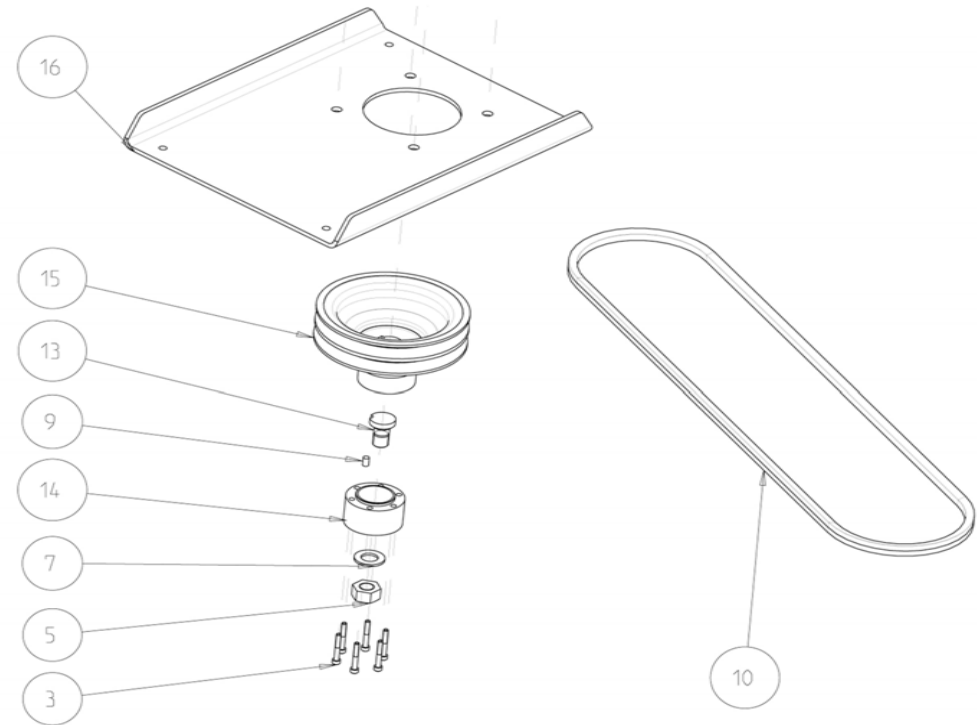
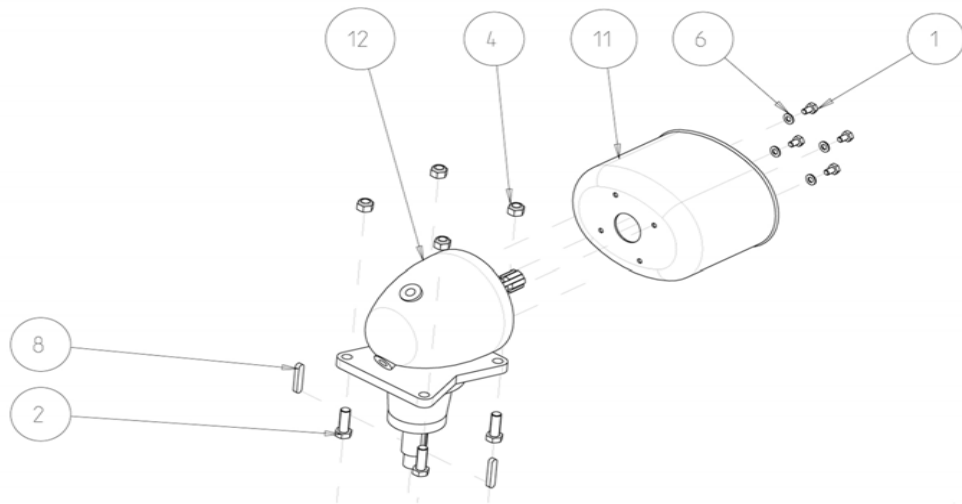
Votex Super Bingo

Centrale aandrijving

Central drive

Commande centrale

Zentralantrieb



Votex Super Bingo

		Centrale aandrijving						Central drive	Commande centrale	Zentralantrieb		
no.	onderdeel nummer	type						Omschrijving	Discription	Designation	Beschreibung	technische info
		2-170	3-220	3-260	3-300	4-345	5-475					
1	10.02.116	4	4	4	4	4	4	Zeskanttapbout	Bolt	Vis	Sechskantschraube	M10x16-8.8
2	10.02.207	4	4	4	4	4	4	Zeskanttapbout	Bolt	Vis	Sechskantschraube	M16X45-8.8
3	10.28.097	6	6	6	6	6	6	Cilinderkopschroef	Cilinderheadscrew	Vis à tête cylindrique	Zylinderkopfschraube	M8x55
4	11.05.016	4	4	4	4	4	4	Borgmoer	Lock nut	Écrou autofreiné	Sicherungsmutter	M16
5	11.91.254	1	1	1	1	1	1	Moer links	Nut left	Écrou gauche	Mutter links	WW1"links
6	12.11.010	4	4	4	4	4	4	Sluitring	Washer	Rondelle	Unterlegscheibe	M10
7	12.11.027	1	1	1	1	1	1	Sluitring	Washer	Rondelle	Unterlegscheibe	M27
8	15.08.060	2	2	2	2	2	2	Inlegspie	Sunk key	Clavette	Paßfeder	12x8x60-
9	16.03.001	1	1	1	1	1	1	Pen cilindisch	Dowel pin	Goupille cylindrique	Zylinderstifte	M6x16
10	19.03.007	1		2		3		V-snaar	V-belt	Courroie	Keilrieme	
	19.03.004		2					V-snaar	V-belt	Courroie	Keilrieme	
	19.03.034				2		4	V-snaar	V-belt	Courroie	Keilrieme	
11	27.10.149	1	1	1	1	1	1	Afscherming	PTO shaft guard	Protection transmission	GelenkwelleSchutz	P82.25
12	28.01.022	1		1	1	1	1	Tandwielkast	Gearbox	Boitier à renvoi d'angle	Getriebe	1:2,6
	28.01.024		1					Tandwielkast	Gearbox	Boitier à renvoi d'angle	Getriebe	1:3,1
13	36.02.260	1	1	1	1	1	1	Mesbout	Blade bolt	Boulon de lame	Messerbolzen	
14	36.02.856	1	1	1	1	1	1	Tussenbus	Distance bush	Bague d'entretoise	Distanzbüchse	
15	36.03.331	1	1	1	1	1	1	V-snaarschijf	V-belt pulley	Poulie à gorges	Keilriemenscheibe	240SPC2
16	44.07.426	1	1	1	1	1	1	Tandwielkastplaat	Gearbox plate	Plaque de Boitier	Getriebe platte	

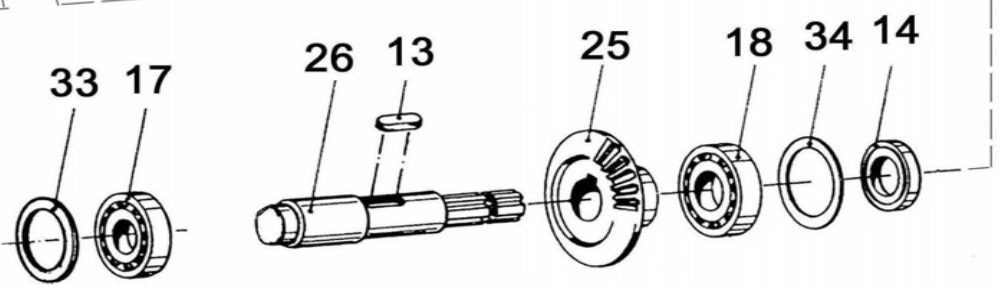
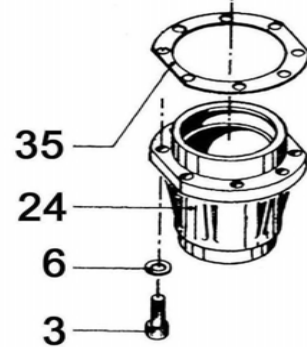
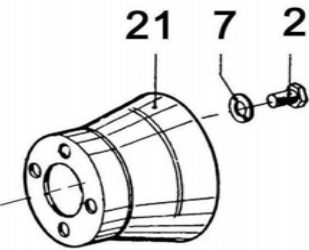
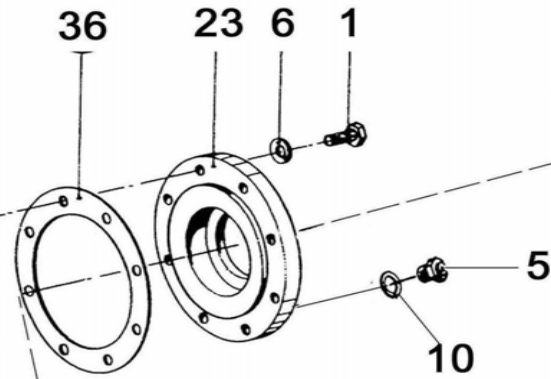
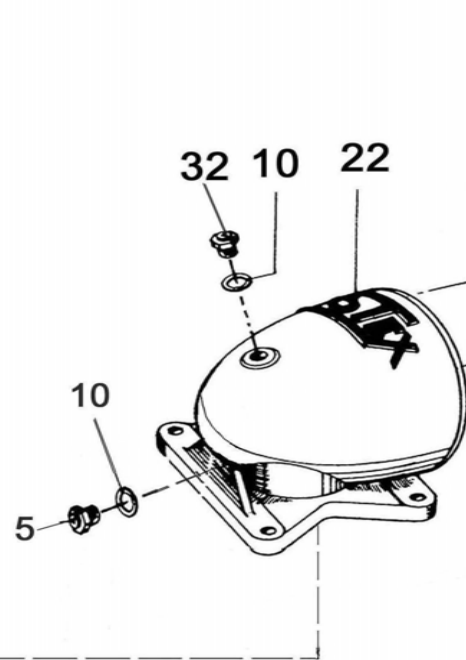
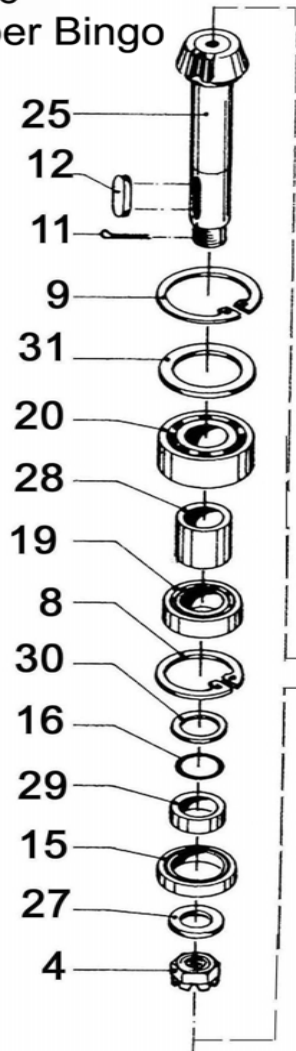
Votex
1:2,6
Super Bingo

Tandwielkast 540 tpm

Gearbox 540 rpm

Boitier à renvoie
d' angle 540 rpm

Getriebe 540 U/min



Votex Super Bingo**1:2,6**

			Tandwielkast	Gearbox	Boitier à renvoie	Getriebe	
			540 tpm	540 rpm	d' angle 540 rpm	540 U/min	
<u>no.</u>	<u>onderdeel</u>		<u>Omschrijving</u>	<u>Discription</u>	<u>Designation</u>	<u>Beschreibung</u>	<u>technische info</u>
	<u>nummer</u>	<u>aantal</u>					
1-36	28.01.022		Tandwielkast	Gearbox	Boitier à renvoie d'angle	Getriebe	1:2,6
1	10.02.092	8	Zeskanttapbout	Bolt	Vis	Sechskantschraube	M8x30-8.8
2	10.02.116	4	Zeskanttapbout	Bolt	Vis	Sechskantschraube	M10x16-8.8
3	10.28.092	8	Cilinderkopschroef	Cilinderheadscrew	Vis à tête cylindrique	Zylinderkopfschraube	M8x30
4	11.09.430	1	Kroonmoer	Castle nut	Écrou à crénaux	Kronenmutter	M30x2
5	11.11.318	1	Kraagplug	Plug	Bouchon fileté	Verschlüßschraube	M18x1.5
6	12.01.008	16	Veerring	Spring washer	Rondelle grower	Federring	M8
7	12.11.010	8	Sluitring	Washer	Rondelle	Unterlegscheibe	M10
8	12.31.080	1	Zekeringsring	Circlip	Circlip	Sicherungsringe	80x2.5
9	12.31.090	1	Zekeringsring	Circlip	Circlip	Sicherungsringe	90x3
10	13.02.004	1	Koperring	Copper washer	Rondelle en cuivre	Kupferring	18x24x1.5
11	14.30.063	1	Splitpen	Split pin	Goupille fendue	Splinte	6.3x63-94
12	15.08.060	2	Inlegspie	Sunk key	Clavette	Paßfeder	12x8x60-
13	15.09.050	2	Inlegspie	Sunk key	Clavette	Paßfeder	14x9x50-
14	17.01.026	1	Keerring	Seal ring	Joint d'étanchéité	Simmerring	45x80x13
15	17.01.027	1	Keerring	Seal ring	Joint d'étanchéité	Simmerring	52x80x13
16	17.02.005	1	O-ring	O-ring	Joint torique	O-ring	40x3
17	18.01.010	1	Kogellager	Ball bearing	Roulement à billes	Kugellager	6308
18	18.01.011	1	Kogellager	Ball bearing	Roulement à billes	Kugellager	6309
19	18.07.002	1	Cilinderlager	Cilinder bearing	Roulement de cylindre	Zylinderlager	NJ-2208ECP
20	18.10.002	1	Kogellager	Ball bearing	Roulement à billes	Kugellager	3308ATN9
21	27.10.148	2	Afscherming	PTO shaft guard	Protection transmission	GelenkwelleSchutz	82.24
22	28.02.030	1	Tandwielkasthuis	Gearbox case	Boitier	Getriebegehäuse	
23	28.03.030	1	Tandwielkastdeksel	Gearbox cover	Couvercle	Getriebedeckel	
24	28.04.010	1	Lagerhuis	Bearing flange	Cage de roulements	Lagerflansch	
25	28.05.022	1	Pignonas+kegelwiel	Crownwheel+pignon	Jeu de pignons d'angle	Kegelradsatz	1: 2,6
26	28.06.002	1	Aandrijfjas	Drive shaft	Arbre d'entraînement	Antriebachse	
27	28.07.005	1	Afstandsring	Distance ring	Rondelle d'entretoise	Distanzring	
28	28.07.036	1	Afstandsbus	Distance bush	Bague d'entretoise	Distanzbüchse	
29	28.07.007	1	Afstandsbus	Distance bush	Bague d'entretoise	Distanzbüchse	
30	28.07.008	1	Steuning	Reinforcing ring	Rondelle de support	Stützscheibe	40X50X2.5

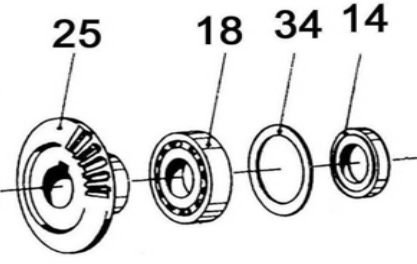
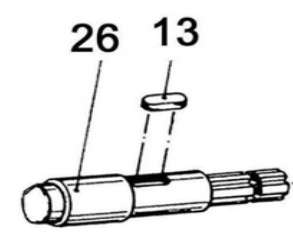
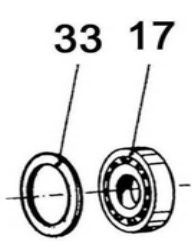
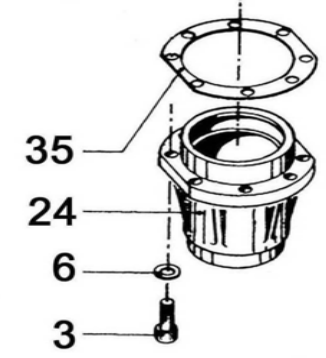
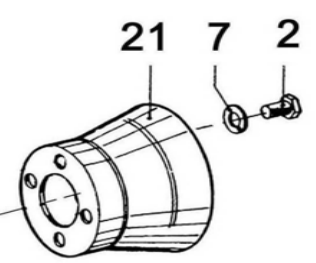
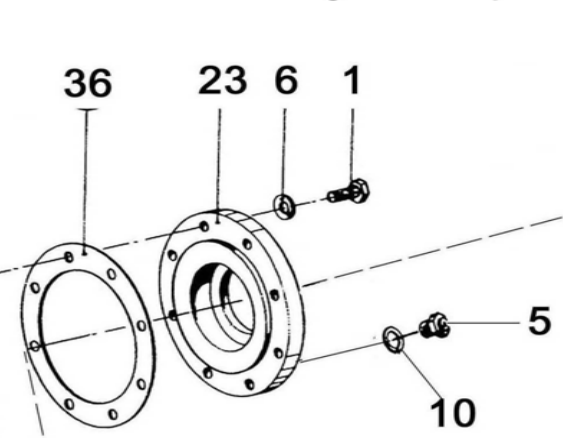
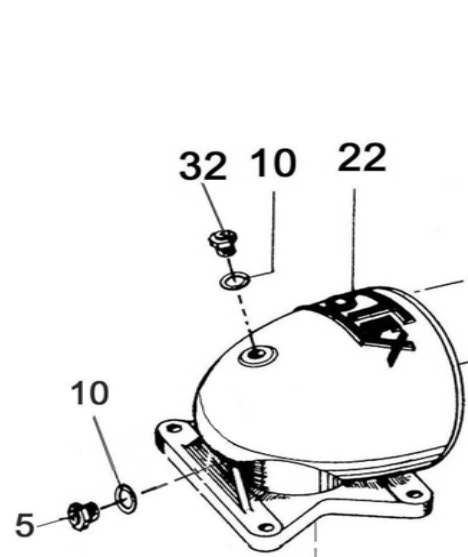
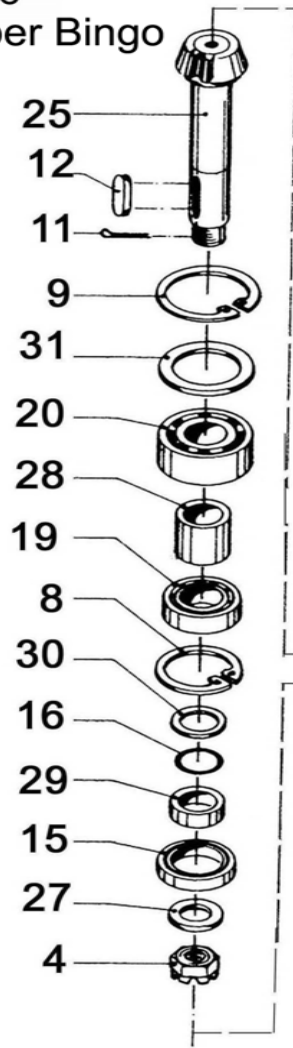
Votex
1:2,6
Super Bingo

Tandwielkast 540 tpm

Gearbox 540 rpm

Boitier à renvoie
d' angle 540 rpm

Getriebe 540 U/min



Votex Super Bingo**1:2,6****Tandwielkast
540 tpm**Omschrijving**Gearbox
540 rpm**Discription**Boitier à renvoie d' angle
540 rpm**Designation**Getriebe
540 U/min**Beschreibungtechnische info

<u>no.</u>	<u>onderdeel nummer</u>	<u>aantal</u>	<u>Omschrijving</u>	<u>Discription</u>	<u>Designation</u>	<u>Beschreibung</u>	<u>technische info</u>
31	28.07.009	1	Steunring	Reinforcing ring	Rondelle de support	Stützscheibe	70X90X3.5
32	28.08.001	1	Ontluchtingsnippel	Air release nipple	Reniflard d'air	Entlüfter	M18x1.5
33a	28.09.007	xx	Shim	Shim	Rondelle de réglage	Paßscheibe	70x90x0.1mm
b	28.09.008	xx	Shim	Shim	Rondelle de réglage	Paßscheibe	70x90x0.3mm
c	28.09.009	xx	Shim	Shim	Rondelle de réglage	Paßscheibe	70x90x0.5mm
34a	28.09.010	xx	Shim	Shim	Rondelle de réglage	Paßscheibe	80x100x0.1mm
b	28.09.011	xx	Shim	Shim	Rondelle de réglage	Paßscheibe	80x100x0.3mm
c	28.09.012	xx	Shim	Shim	Rondelle de réglage	Paßscheibe	80x100x0.5mm
35a	28.09.014	xx	Pakking	Gasket	Joint d'étanchéité	Dichtung	0.3mm
b	28.09.015	xx	Pakking	Gasket	Joint d'étanchéité	Dichtung	0.5mm
36a	28.09.017	xx	Pakking	Gasket	Joint d'étanchéité	Dichtung	0.3mm
b	28.09.018	xx	Pakking	Gasket	Joint d'étanchéité	Dichtung	0.5mm

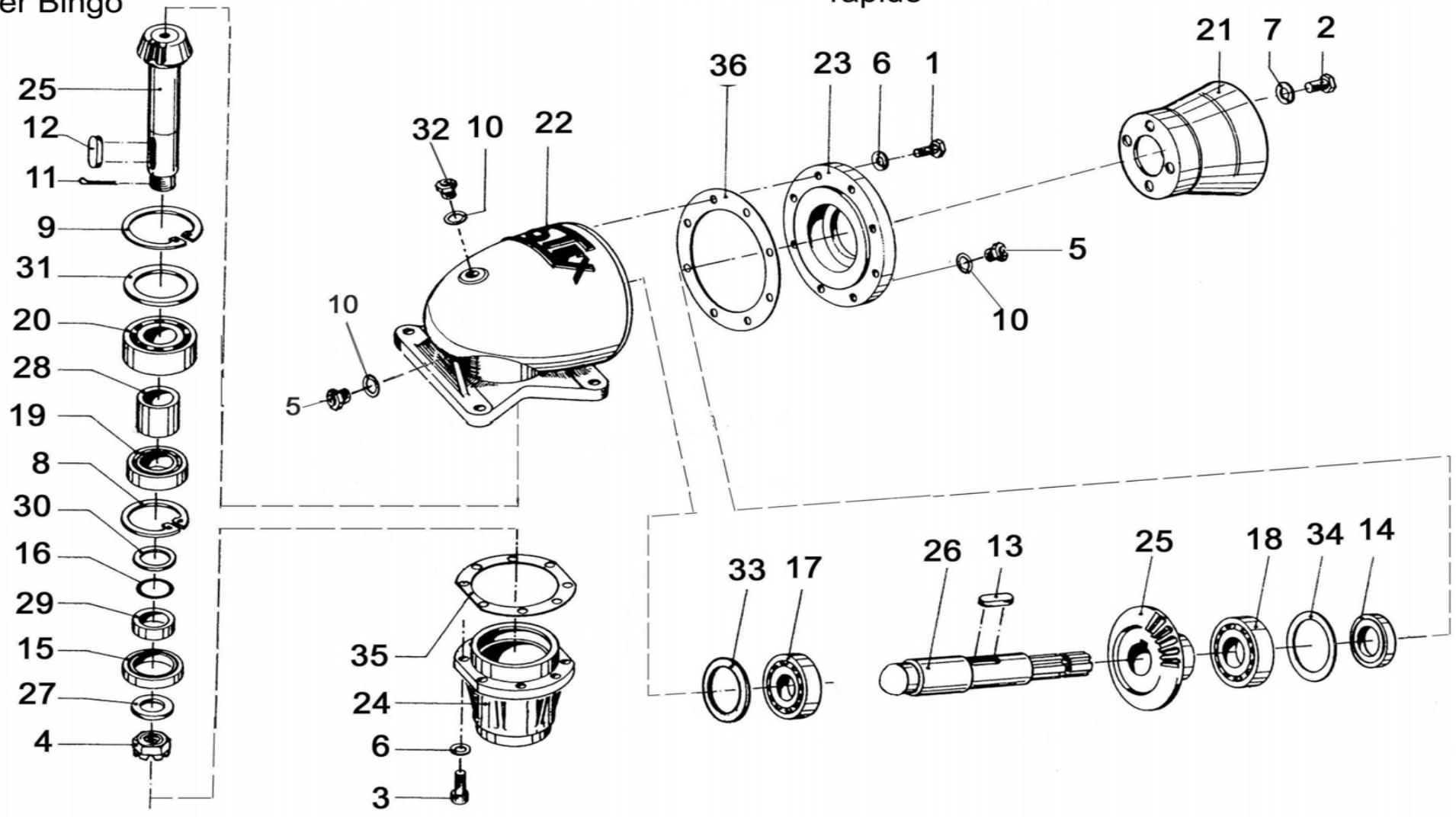
Votex
1:3,1
Super Bingo

Tandwielkast 540tpm
snel

Gearbox 540 rpm
fast

Boitier à renvoie
d' angle 540 rpm
rapide

Getriebe 540 u/min
schnell



Votex Super Bingo

1:3,1			Tandwielkast 540 tpm Gearbox 540 rpm	Boitier à renvoie d' angle	Getriebe 540 U/min		
<u>no.</u>	<u>onderdeel nummer</u>	<u>aantal</u>	Snel <u>Omschrijving</u>	Fast <u>Discription</u>	540 rpm Rapide <u>Designation</u>	Schnell <u>Beschreibung</u>	<u>technische info</u>
1-36	28.01.024		Tandwielkast	Gearbox	Boitier à renvoie d'angle	Getriebe	1:3,1
1	10.02.092	8	Zeskanttapbout	Bolt	Vis	Sechskantschraube	M8x30-8.8
2	10.02.116	4	Zeskanttapbout	Bolt	Vis	Sechskantschraube	M10x16-8.8
3	10.28.092	8	Cilinderkopschroef	Cilinderheadscrew	Vis à tête cylindrique	Zylinderkopfschraube	M8x30
4	11.09.430	1	Kroonmoer	Castle nut	Écrou à crénaux	Kronenmutter	M30x2
5	11.11.318	1	Kraagplug	Plug	Bouchon fileté	Verschlüßschraube	M18x1.5
6	12.01.008	16	Veerring	Spring washer	Rondelle grower	Federring	M8
7	12.11.010	8	Sluistring	Washer	Rondelle	Unterlegscheibe	M10
8	12.31.080	1	Zekeringsring	Circlip	Circlip	Sicherungsringe	80x2.5
9	12.31.090	1	Zekeringsring	Circlip	Circlip	Sicherungsringe	90x3
10	13.02.004	1	Koperring	Copper washer	Rondelle en cuivre	Kupferring	18x24x1.5
11	14.30.063	1	Splitpen	Split pin	Goupille fendue	Splinte	6.3x63-94
12	15.08.060	2	Inlegspie	Sunk key	Clavette	Paßfeder	12x8x60-
13	15.09.050	2	Inlegspie	Sunk key	Clavette	Paßfeder	14x9x50-
14	17.01.026	1	Keerring	Seal ring	Joint d'étanchéité	Simmerring	45x80x13
15	17.01.027	1	Keerring	Seal ring	Joint d'étanchéité	Simmerring	52x80x13
16	17.02.005	1	O-ring	O-ring	Joint torique	O-ring	40x3
17	18.01.010	1	Kogellager	Ball bearing	Roulement à billes	Kugellager	6308
18	18.01.011	1	Kogellager	Ball bearing	Roulement à billes	Kugellager	6309
19	18.07.002	1	Cilinderlager	Cilinder bearing	Roulement de cylindre	Zylinderlager	NJ-2208ECP
20	18.10.002	1	Kogellager	Ball bearing	Roulement à billes	Kugellager	3308ATN9
21	27.10.148	2	Afscherming	PTO shaft guard	Protection transmission	GelenkwelleSchutz	82.24
22	28.02.030	1	Tandwielkasthuis	Gearbox case	Boitier	Getriebegehäuse	
23	28.03.030	1	Tandwielkastdeksel	Gearbox cover	Couvercle	Getriebedeckel	
24	28.04.010	1	Lagerhuis	Bearing flange	Cage de roulements	Lagerflansch	
25	28.05.024	1	Pignonas+kegelwiel	Crownwheel+pignon	Jeu de pignons d'angle	Kegelradsatz	1: 3,1
26	28.06.002	1	Aandrijfias	Drive shaft	Arbre d'entraînement	Antriebachse	
27	28.07.005	1	Afstandsring	Distance ring	Rondelle d'entretoise	Distanzring	
28	28.07.036	1	Afstandsbus	Distance bush	Bague d'entretoise	Distanzbüchse	
29	28.07.007	1	Afstandsbus	Distance bush	Bague d'entretoise	Distanzbüchse	
30	28.07.008	1	Steuuring	Reinforcing ring	Rondelle de support	Stützscheibe	40X50X2.5

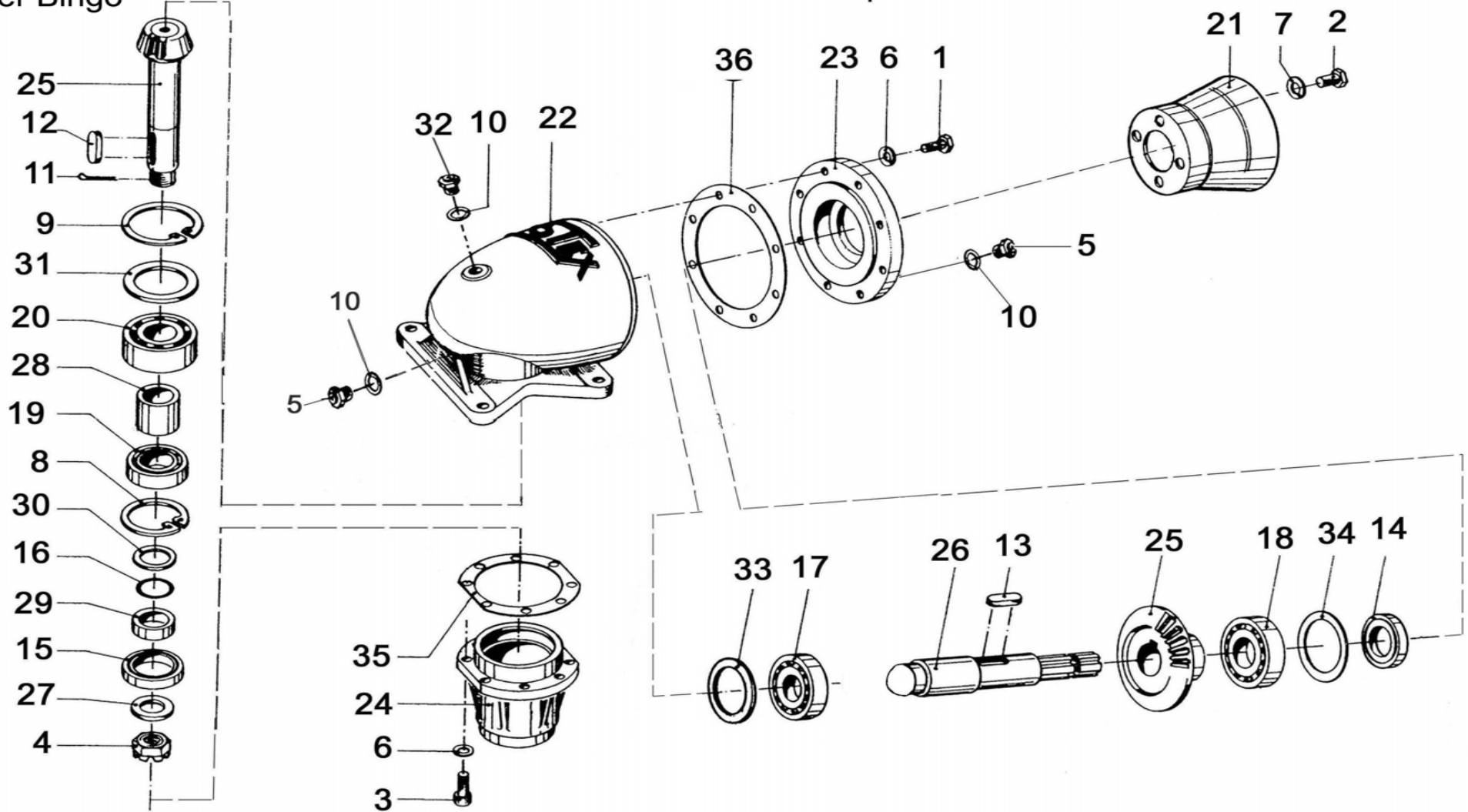
Votex
1:3,1
Super Bingo

Tandwielkast 540tpm
snel

Gearbox 540 rpm
fast

Boitier à renvoie
d' angle 540 rpm
rapide

Getriebe 540 u/min
schnell



Votex Super Bingo**1:3,1**

			Tandwielkast 540 tpm	Gearbox 540 rpm	Boitier à renvoie d' angle	Getriebe 540 U/min	
			Snel	Fast	540 rpm Rapide	Schnell	
<u>no.</u>	<u>onderdeel</u>		<u>Omschrijving</u>	<u>Discription</u>	<u>Designation</u>	<u>Beschreibung</u>	<u>technische info</u>
	<u>nummer</u>	<u>aantal</u>					
31	28.07.009	1	Steuring	Reinforcing ring	Rondelle de support	Stützscheibe	70X90X3.5
32	28.08.001	1	Ontluchtingsnippel	Air release nipple	Reniflard d'air	Entlüfter	M18x1.5
33a	28.09.007	xx	Shim	Shim	Rondelle de réglage	Paßscheibe	70x90x0.1mm
b	28.09.008	xx	Shim	Shim	Rondelle de réglage	Paßscheibe	70x90x0.3mm
c	28.09.009	xx	Shim	Shim	Rondelle de réglage	Paßscheibe	70x90x0.5mm
34a	28.09.010	xx	Shim	Shim	Rondelle de réglage	Paßscheibe	80x100x0.1mm
b	28.09.011	xx	Shim	Shim	Rondelle de réglage	Paßscheibe	80x100x0.3mm
c	28.09.012	xx	Shim	Shim	Rondelle de réglage	Paßscheibe	80x100x0.5mm
35a	28.09.014	xx	Pakking	Gasket	Joint d'étanchéité	Dichtung	0.3mm
b	28.09.015	xx	Pakking	Gasket	Joint d'étanchéité	Dichtung	0.5mm
36a	28.09.017	xx	Pakking	Gasket	Joint d'étanchéité	Dichtung	0.3mm
b	28.09.018	xx	Pakking	Gasket	Joint d'étanchéité	Dichtung	0.5mm

Votex
Super Bingo

V-snaarschijven

V-belt pulleys

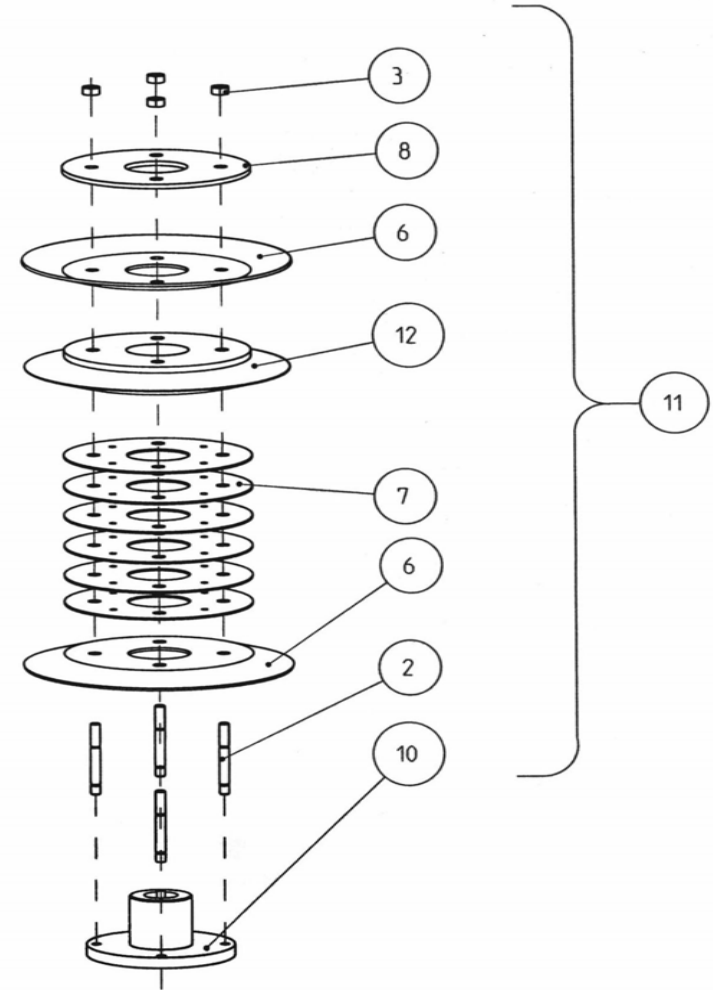
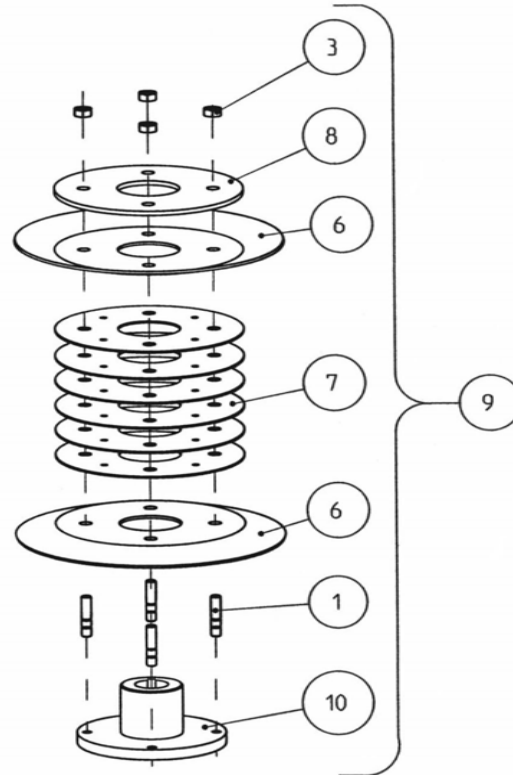
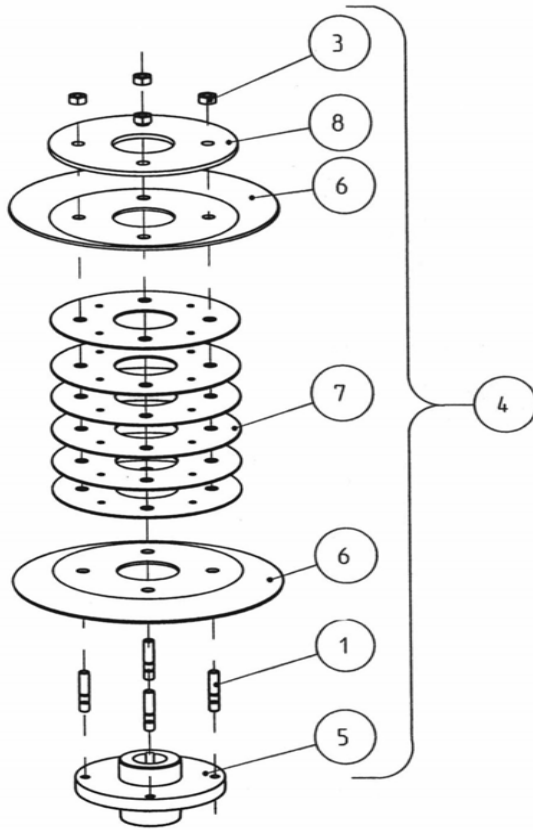
Poulies à gorges

Keilriemenscheiben

Hoog-High-Haut-Hoch

Laag-Low-Bas-Niedrig

Dubbel-Double-Double-Doppelt



Votex Super Bingo

no.	onderdeel nummer	type **			V-snaar schijven	V-belt pulleys	Poulies à gorge	Keilriemenscheiben	technische info
		hoog	laag	dubbel	Omschrijving	Discription	Designation	Beschreibung	
1	10.19.122	4	4		Tapeind	Stud	Goujon	Stiftschraube	M10x35
2	10.19.128			4	Tapeind	Stud	Goujon	Stiftschraube	M10x65
3	11.02.010	4	4	4	Zeskantmoer	Nut	Écrou	Mutter	M10
4	36.03.010	1			V-snaarschijf cpl. hoog	V-belt pulley cpl.high	Poulie à gorges cpl haut	Keilriemenscheibe kpl. hoch	34mm
5	36.03.020	1			Naaf	Boss	Moyeu	Nabe	H34mm
6	36.03.031	2	2	2	Velg	Disc	Disque	Scheibe	270 mm
7	36.03.040	6	6	6	Stelplaat	Adjusting disc	Disque de réglage	Stellscheibe	2 mm
8	36.03.050	1	1	1	Verstevigingsplaat	Reinforcing disc	Disque de renfort	Verstärkungscheibe	
9	36.03.060		1		V-snaarschijf cpl. laag	V-belt pulley cpl. Low	Poulie à gorges cpl. Bas	Keilriemenscheibe kpl. Niedrig	34mm
10	36.03.070		1	1	Naaf	Boss	Moyeu	Nabe	L34mm
11	36.03.080			1	V-snaar poulie dubbel cpl.	V-belt pulley double cpl.	Poulie à gorges double cpl.	Keilriemenscheibe doppelt kpl.	D=270 mm as 34 mm
12	36.03.633			1	Velg	Disc	Disque	Scheibe	

**

hoog = high; haut; hoch

laag = low; bas; niedrig

dubbel = dubble; double; doppelt

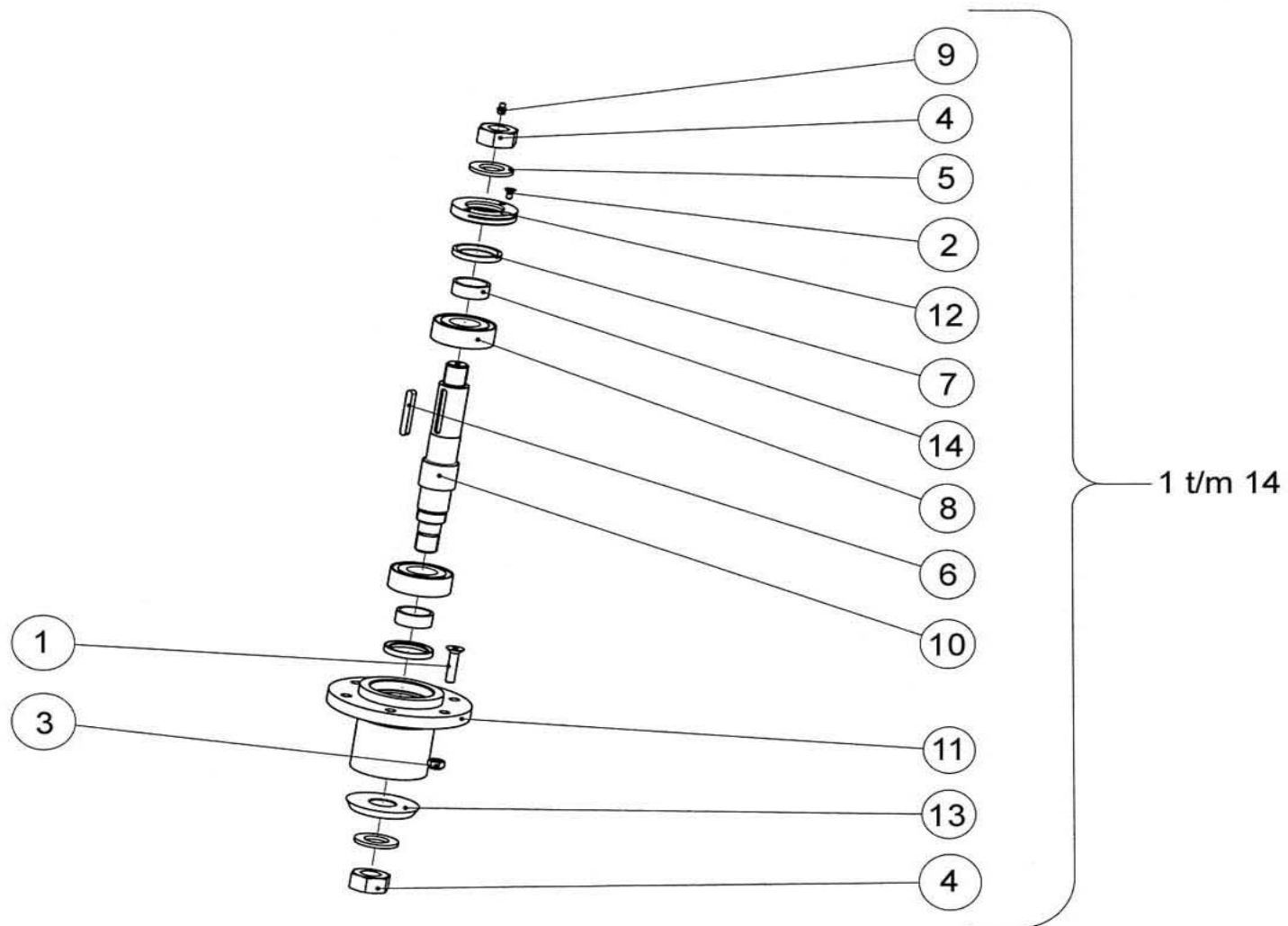
Votex

Lagerpot

Bearing house

Cage à roulements

Lagergehäuse



Votex Super Bingo

			Lagerpot cpl.	Bearing house cpl.	Cage à roulements cpl.	Lagergehäuse kpl.	
<u>no.</u>	<u>onderdeel nummer</u>	<u>aantal</u>	<u>Omschrijving</u>	<u>Discription</u>	<u>Designation</u>	<u>Beschreibung</u>	<u>technische info</u>
1-14	36.02.010	1	Lagerpot cpl.	Bearing house cpl.	Cage à roulements cpl.	Lagergehäuse kpl.	
1	10.04.123	6	Zeskantbout	Bolt	Vis	Sechskantschraube	M10x40-8.8
2	10.29.058	1	Verzonken schroef	Socket screw	Vis á tête fraisée	Senkschraube	M6x10
3	11.05.010	6	Borgmoer	Lock nut	Écrou autofreiné	Sicherungsmutter	M10
4	11.91.254	2	Moer links	Nut left	Écrou gauche	Mutter links	WW1"links
5	12.11.027	2	Sluitring	Washer	Rondelle	Unterlegscheibe	M27
6	15.06.060	1	Inlegspie	Sunk key	Clavette	Paßfeder	8x7x60-
7	17.01.015	2	Keerring	Seal ring	Joint d'étanchéité	Simmerring	42x56x7
8	18.11.001	2	Kegellager	Tapered rolling bearing	Roulement à rouleau conique	Kegellager	32207-J2/Q
9	20.03.003	1	Smeernippel	Grease nipple	Graisseur	Schmiernippel	M8x1.25-180°
10	36.02.020	1	Mesas	Rotorshaft	Arbre de lame	Messerwelle	
11	36.02.030	1	Lagerpot	Bearing house	Cage à roulements	Lagergehäuse	
12	36.02.040	1	Stelring	Adjustment ring	Rondelle de réglage	Einstelring	
13	36.02.050	1	Drukschijf	Thrust plate	Disque de pression	Drückscheibe	
14	36.02.060	2	Afstandsbus	Distance bush	Bague d'entretoise	Distanzbüchse	

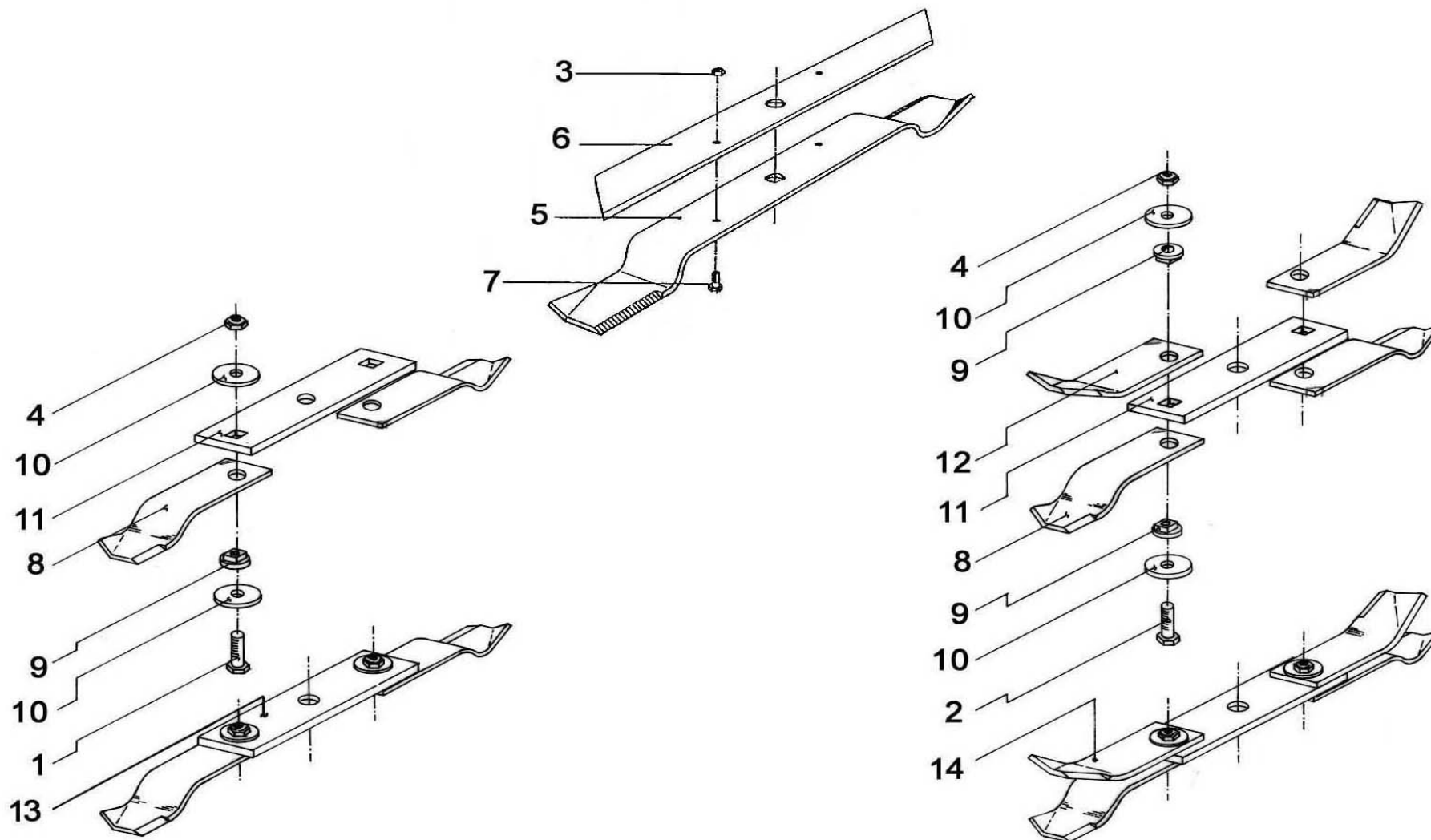
Votex Super Bingo

Maaimessen

Mowerblades

Lames

Mähmesser



Votex Super Bingo

no.	onderdeel nummer	Maaimessen						Omschrijving	Discription	Lames Designation	Mähmesser Beschreibung	technische info
		2-170	3-220	3-260	3-300	4-345	5-475					
1	10.02.208	4	6	6	6	8	10	Zeskantapbout	Bolt	Vis	Sechskantschraube	M16x50-8.8
2	10.04.210	4	6	6	6	8	10	Zeskantbout	Bolt	Vis	Sechskantschraube	M16x60-8.8
3	11.05.010	4	6	6	6	8	10	Borgmoer	Lock nut	Écrou autofreiné	Sicherungsmutter	M10
4	11.05.016	4	6	6	6	8	10	Borgmoer	Lock nut	Écrou autofreiné	Sicherungsmutter	M16
5	35.01.020	2		3		4		Maaimes	Mowerblade	Lame	Messer	880L
	35.01.110				3		5	Maaimes	Mowerblade	Lame	Messer	970L
	35.02.100		3					Maaimes	Mowerblade	Lame	Messer	750L NM
6	35.01.080	2		3		4		Maaimes duplo	Mowerblade double	Lame double	Doppelmesser	876
	35.01.120				3		5	Maaimes duplo	Mowerblade double	Lame double	Doppelmesser	970L
	35.02.140		3					Maaimes duplo	Mowerblade double	Lame double	Doppelmesser	730
7	35.01.090	4	6	6	6	8	10	Zeskantbout	Bolt	Vis	Zechskantschraube	M10x25/15-12.9
8	35.10.030	4	6	6	6	8	10	Slingerondermes	Swinging blade tip lower	Bout de lame escamotable inf.	Pendelmesserteil unter	750/880L
9	35.10.040	4	6	6	6	8	10	Mesbus	Blade bush	Bague de lame	Messerbüchse	
10	35.10.060	8	12	12	12	16	20	Sluitplaat	Washer	Rondelle de blocage	Unterlegscheibe	
11	35.11.020	2		3		4		Meshouder	Blade support	Support de lames	Messerbalken	L= 400mm
	35.11.130				3		5	Meshouder	Blade support	Support de lames	Messerbalken	970L
	35.13.020		3					Meshouder	Blade support	Support de lames	Messerbalken	L= 270mm
12	35.18.020	4	6	6	6	8	10	Slingerbovenmes	Swinging blade tip upper	Bout de lame escamotable sup.	Pendelmesserteil oben	750/880L
13	35.11.010	2		3		4		Slingermaaimes cpl.	Swinging blade cpl.	Lame escamotable cpl.	Pendelmesser kpl.	880L
	35.11.140				3		5	Slingermaaimes cpl.	Swinging blade cpl.	Lame escamotable cpl.	Pendelmesser kpl.	970L
	35.13.010		3					Slingermaaimes cpl.	Swinging blade cpl.	Lame escamotable cpl.	Pendelmesser kpl.	750L
14	35.19.010	2		3		4		Slingerhakselmes cpl.	Swinging blade cpl.	Lame escamotable cpl.	Pendelmesser kpl.	880L
	35.19.040				3		5	Slingerhakselmes cpl.	Swinging blade cpl.	Lame escamotable cpl.	Pendelmesser kpl.	970L
	35.21.010		3					Slingerhakselmes cpl.	Swinging blade cpl.	Lame escamotable cpl.	Pendelmesser kpl.	750L

Type PT

Aantal messen

Number of blades

Nombre des lames

Messerzahl

2-170	2	2	2	2
3-220	3	3	3	3
3-260	3	3	3	3
3-300	3	3	3	3
4-345	4	4	4	4
5-475	5	5	5	5

Votex Super Bingo

Votex PT

Opties

Options

Options

Options

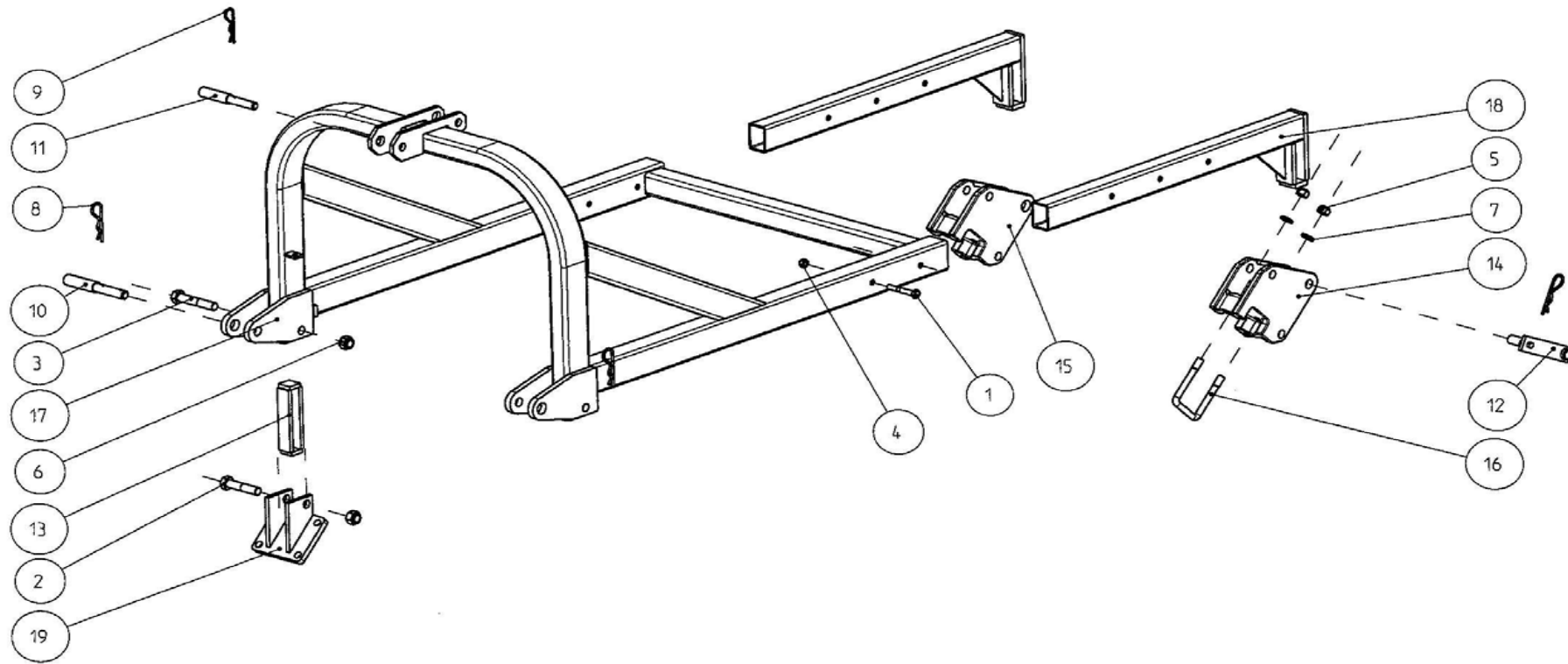
Votex
Super Bingo

Driepuntsbok
front getrokken

Three points linkage
front trailed

Attelage 3-points
frontal traînée

Dreipunkt aufhängung
front gezogen



Votex Super Bingo

			Driepuntsbok front getrokken	Three points linkage front trailed	Attelage 3-points frontal traînée	Dreipunkt aufhängung front gezogen	
<u>no.</u>	<u>onderdeel nummer</u>	<u>aantal</u>	<u>Omschrijving</u>	<u>Discription</u>	<u>Designation</u>	<u>Beschreibung</u>	<u>technische info</u>
1	10.04.162	4	Zeskantbout	Bolt	Vis	Sechskantschraube	M12x80-8.8
2	10.04.266	2	Zeskantbout	Bolt	Vis	Sechskantschraube	M20x90-8.8
3	10.04.768	2	Zeskantbout	Bolt	Vis	Sechskantschraube	M20x105-8.8
4	11.05.012	4	Borgmoer	Lock nut	Écrou autofreiné	Sicherungsmutter	M12
5	11.05.016	12	Borgmoer	Lock nut	Écrou autofreiné	Sicherungsmutter	M16
6	11.05.020	4	Borgmoer	Lock nut	Écrou autofreiné	Sicherungsmutter	M20
7	12.11.016	12	Sluistring	Washer	Rondelle	Unterlegscheibe	M16
8	20.01.007	4	Borgveer dubbel	Gripclip double	Goupille beta double	Federstecker doppelt	5mm
9	20.01.029	1	Borgveer dubbel	Gripclip double	Goupille beta double	Federstecker doppelt	4mm
10	20.01.070	2	Werktuigpen	Link pin	Broche	Lenker bolzen	28x22mm
11	20.01.071	1	Topstangpen	Top link pin	Broche troisieme point	Bolzen	25x19mm
12	44.08.191	2	Scharnierpen	Hinge pin	Axe de charnière	Gelenkbolzen	
13	44.08.200	2	Montagesteun	Support	Support	Stütze	
14	44.08.223	1	Aankoppelbek	Couple jaw	Mâchoire d'attelage	Anhängmaul	
15	44.08.226	1	Aankoppelbek	Couple jaw	Mâchoire d'attelage	Anhängmaul	
16	44.08.231	6	Strop	U bolt	Etrier	Klemmbügel	M16-8.8
17	44.08.246	1	Driepuntsframe	Three points linkage	Attelage trois points	Dreipunkt Aufhängung	
18	44.08.250	2	Framebuis	Frame tube	Tube de Châssis	Ramen rohr	
19	44.08.256	2	Montagesteun	Support	Support	Stütze	

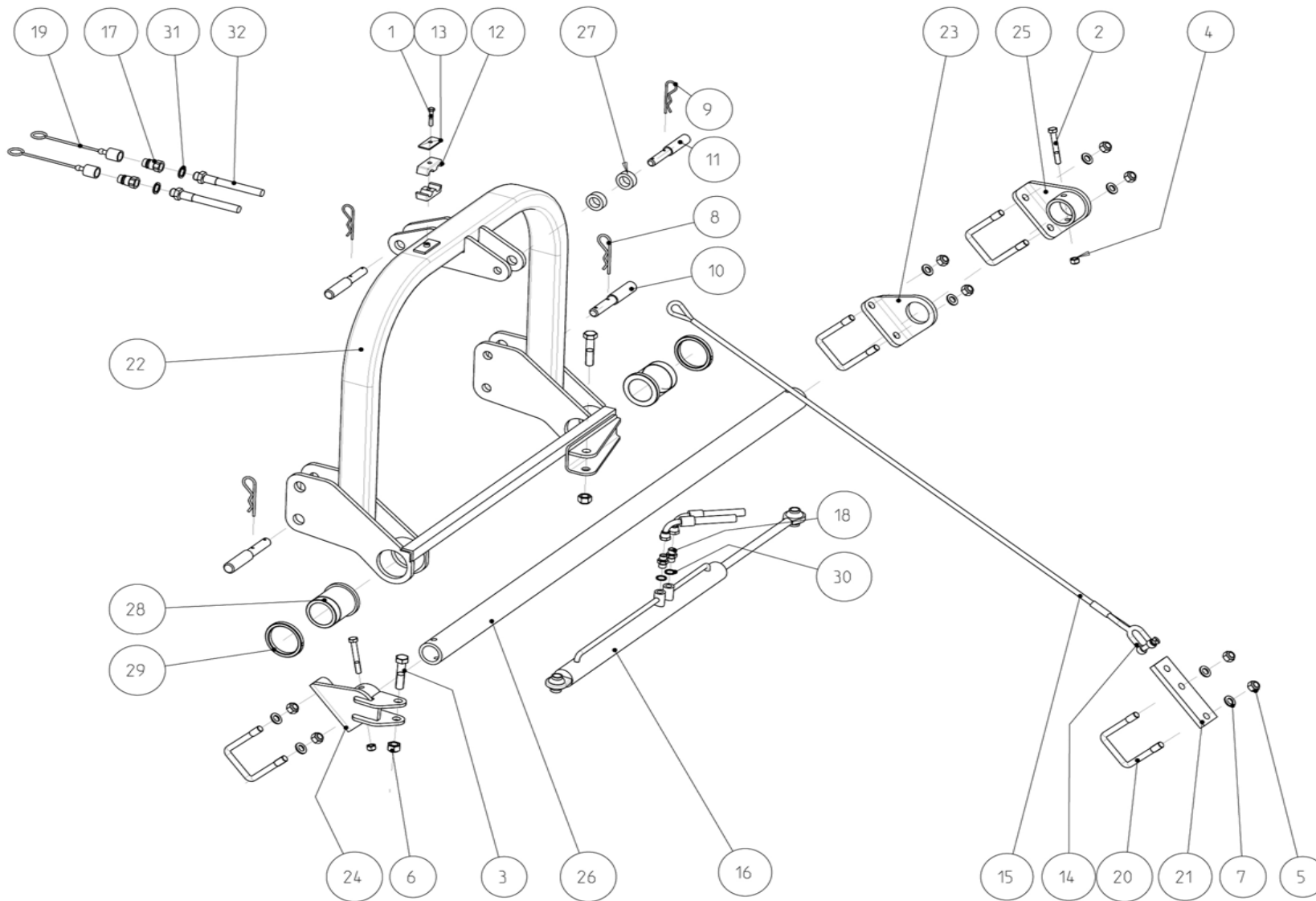
Votex
Super Bingo

Driepuntsframe
verstelbaar

3-points linkage
adjustable

Attelage 3-points
réglable

Dreipunktaufhängung
verstellbar



Votex Super Bingo

			Driepuntsbok verstelbaar	Three points linkage adjustable	Attelage 3-points réglable	Dreipunkt aufhängung verstellbar	
<u>no.</u>	<u>onderdeel nummer</u>	<u>aantal</u>	<u>Omschrijving</u>	<u>Discription</u>	<u>Designation</u>	<u>Beschreibung</u>	<u>technische info</u>
1	10.04.095		Zeskantbout	Bolt	Vis	Sechskantschraube	M8x45-8.8
2	10.04.164		Zeskantbout	Bolt	Vis	Sechskantschraube	M12x90-8.8
3	10.04.241		Zeskantbout	Bolt	Vis	Sechskantschraube	M18x80-8.8
4	11.05.012		Borgmoer	Lock nut	Écrou autofreiné	Sicherungsmutter	M12
5	11.05.016		Borgmoer	Lock nut	Écrou autofreiné	Sicherungsmutter	M16
6	11.05.018		Borgmoer	Lock nut	Écrou autofreiné	Sicherungsmutter	M18
7	12.11.016		Sluitring	Washer	Rondelle	Unterlegscheibe	M16
8	20.01.007		Borgveer dubbel	Gripclip double	Goupille beta double	Federstecker doppelt	5mm
9	20.01.029		Borgveer dubbel	Gripclip double	Goupille beta double	Federstecker doppelt	4mm
10	20.01.070		Werktuigpen	Link pin	Broche	Lenker bolzen	28x22mm
11	20.01.071		Topstangpen	Top link pin	Broche troisieme point	Bolzen	25x19mm
12	20.01.080		Leidingbeugel dubbel	Clamp double	Bride double	Rohrschelle doppelt	
13	20.01.082		Dekplaat	Clamp plate	Plaque	Platte	
14	20.06.004		D- sluiting	Shackle	Manille	Gerader schäkel	1/2 "
15	20.07.027		Staalkabel	Steel cable	Cable d'acier	Stahlkabel	10x1200
	20.07.034		Staalkabel	Steel cable	Cable d'acier	Stahlkabel	12x1400
16	26.01.042		Hydrauliekcilinder	Hydraulic cylinder	Verin hydraulique	Hydraulikzylinder	
17	26.10.010		Snelkoppeling	Hydraulic coupling	Raccord rapide hydraulique	Kupplungsstecker	1/2BSP
18	26.10.211		Nippel bewerkt	Nipple processed	Mamelon labourée	Doppelnippel bewerkt	1.5mm
19	26.10.244		Stofkap	Dust cap	Capuchon de protection	Staubkappe	1/2"rood
20	44.08.231		Strop	U bolt	Etrier	Klemmbügel	M16-8.8
21	44.08.263		Strip	Plate	Plaque	Streife	
22	44.08.266		Driepuntsframe	Three points linkage	Attelage trois points	Dreipunkt Aufhängung	
23	44.08.270		Montagesteun	Support	Support	Stütze	
24	44.08.273		Montagesteun	Support	Support	Stütze	
25	44.08.276		Montagesteun	Support	Support	Stütze	
26	44.08.280		Buis	Tube	Tube	Rohr	
27	44.08.283		Afstandsbus	Distance bush	Bague d'entretoise	Distanzbüchse	
28	73.31.585		Kunststofbus	Bush plastic	Bague plastique	Büchse kunststof	M80x100
29	73.31.588		Moer	Nut	Écrou	Mutter	M80
30	77.26.186		Usit ring	Seal ring	Rondelle joint	Dichtungsring	3/8"
31	77.26.188		Usit ring	Seal ring	Rondelle joint	Dichtungsring	1/2"
32	26.05.450s		Hydrauliekslang	Hydraulic hose	Tuyau hydraulique	Hydraulikschlauch	

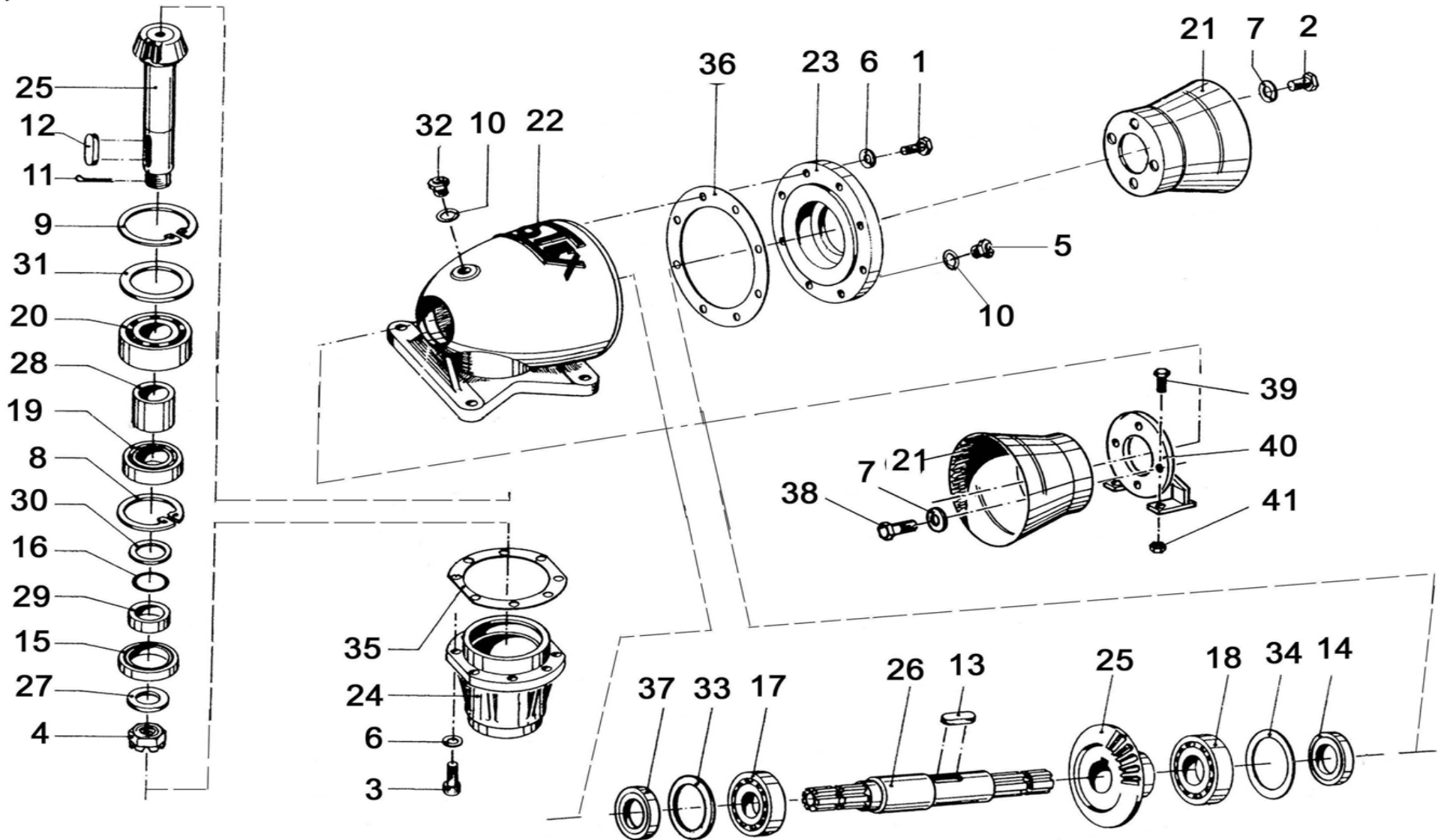
Votex
1: 1,7

Tandwielkast 1000 tpm
Super Bingo

Gearbox 1000 rpm

Boitier à renvoie
d' angle 1000 rpm

Getriebe 1000 u/min



Votex Super Bingo
1: 1,7

Tandwielkast
1000 tpm

Drive 1000 rpm

Boitier à renvoie
d'angle 1000 rpm

Getriebe 1000 u/min

<u>no.</u>	<u>onderdeel nummer</u>	<u>aantal</u>	<u>Omschrijving</u>	<u>Discription</u>	<u>Designation</u>	<u>Beschreibung</u>	<u>technische info</u>
1-37	28.01.040		Tandwielkast	Gearbox	Boitier à renvoie d'angle	Getriebe	DGA 1:1.7
1	10.02.092	8	Zeskanttapbout	Bolt	Vis	Sechskantschraube	M8x30-8.8
2	10.02.116	4	Zeskanttapbout	Bolt	Vis	Sechskantschraube	M10x16-8.8
3	10.28.092	8	Cilinderkopschroef	Cilinderheadscrew	Vis à tête cilindrique	Zylinderkopfschraube	M8x30
4	11.09.430	1	Kroonmoer	Castle nut	Écrou à crénaux	Kronenmutter	M30x2
5	11.11.318	1	Kraagplug	Plug	Bouchon fileté	Verschlüßschraube	M18x1.5
6	12.01.008	16	Veerring	Spring washer	Rondelle grower	Federring	M8
7	12.11.010	8	Sluistring	Washer	Rondelle	Unterlegscheibe	M10
8	12.31.080	1	Zekeringsring	Circlip	Circlip	Sicherungsringe	80x2.5
9	12.31.090	1	Zekeringsring	Circlip	Circlip	Sicherungsringe	90x3
10	13.02.004	1	Koperring	Copper washer	Rondelle en cuivre	Kupferring	18x24x1.5
11	14.30.063	1	Splitpen	Split pin	Goupille fendue	Splinte	6.3x63-94
12	15.08.060	2	Inlegspie	Sunk key	Clavette	Paßfeder	12x8x60-
13	15.09.050	2	Inlegspie	Sunk key	Clavette	Paßfeder	14x9x50-
14	17.01.026	1	Keerring	Seal ring	Joint d'étanchéité	Simmerring	45x80x13
15	17.01.027	1	Keerring	Seal ring	Joint d'étanchéité	Simmerring	52x80x13
16	17.02.005	1	O-ring	O-ring	Joint torique	O-ring	40x3
17	18.01.010	1	Kogellager	Ball bearing	Roulement à billes	Kugellager	6308
18	18.01.011	1	Kogellager	Ball bearing	Roulement à billes	Kugellager	6309
19	18.07.002	1	Cilinderlager	Cilinder bearing	Roulement de cylindre	Zylinderlager	NJ-2208ECP
20	18.10.002	1	Kogellager	Ball bearing	Roulement à billes	Kugellager	3308ATN9
21	27.10.148	2	Afscherming	PTO shaft guard	Protection transmission	GelenkwelleSchutz	82.24
22	28.02.050	1	Tandwielkasthuis	Gearbox case	Boitier	Getriebegehäuse	
23	28.03.030	1	Tandwielkastdeksel	Gearbox cover	Couvercle	Getriebedeckel	
24	28.04.010	1	Lagerhuis	Bearing flange	Cage de roulements	Lagerflansch	
25	28.05.020	1	Pignonas+kegelwiel	Crownwheel+pignon	Jeu de pignons d'angle	Kegelradsatz	1: 1,7
26	28.06.005	1	Aandrijfias	Drive shaft	Arbre d'entraînement	Antriebachse	
27	28.07.005	1	Afstandsring	Distance ring	Rondelle d'entretoise	Distanzring	
28	28.07.036	1	Afstandsbus	Distance bush	Bague d'entretoise	Distanzbüchse	
29	28.07.007	1	Afstandsbus	Distance bush	Bague d'entretoise	Distanzbüchse	
30	28.07.008	1	Steunring	Reinforcing ring	Rondelle de support	Stützscheibe	40X50X2.5

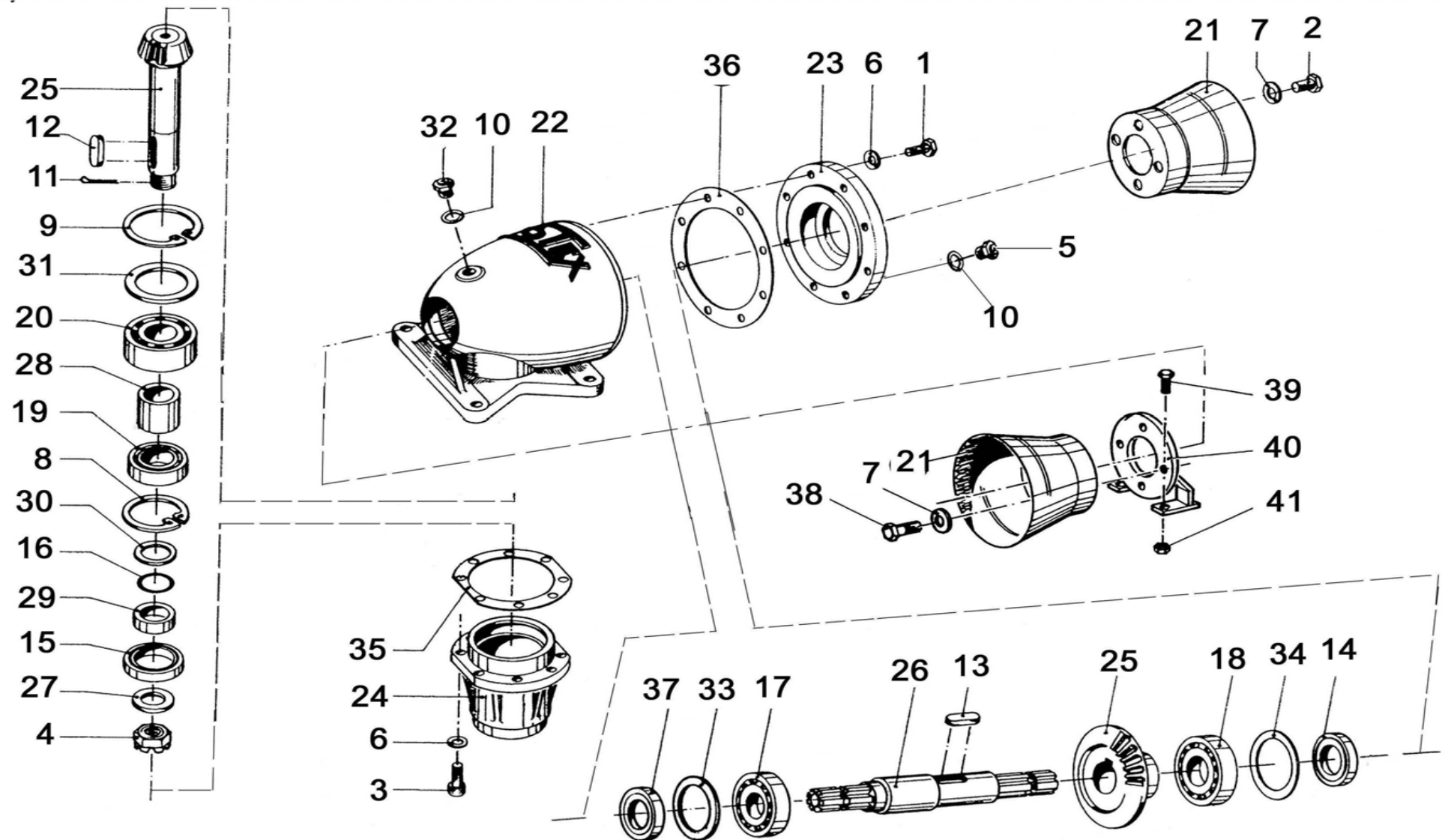
Votex
1: 1,7

Tandwielkast 1000 tpm
Super Bingo

Gearbox 1000 rpm

Boitier à renvoie
d' angle 1000 rpm

Getriebe 1000 u/min



Votex Super Bingo
1: 1,7

Tandwielkast
1000 tpm

Drive 1000 rpm

Boitier à renvoie
d'angle 1000 rpm

Getriebe 1000 u/min

<u>no.</u>	<u>onderdeel nummer</u>	<u>aantal</u>	<u>Omschrijving</u>	<u>Discription</u>	<u>Designation</u>	<u>Beschreibung</u>	<u>technische info</u>
31	28.07.009	1	Steuring	Reinforcing ring	Rondelle de support	Stützscheibe	70X90X3.5
32	28.08.001	1	Ontluchtingsnippel	Air release nipple	Reniflard d'air	Entlüfter	M18x1.5
33a	28.09.007	xx	Shim	Shim	Rondelle de réglage	Paßscheibe	70x90x0.1mm
b	28.09.008	xx	Shim	Shim	Rondelle de réglage	Paßscheibe	70x90x0.3mm
c	28.09.009	xx	Shim	Shim	Rondelle de réglage	Paßscheibe	70x90x0.5mm
34a	28.09.010	xx	Shim	Shim	Rondelle de réglage	Paßscheibe	80x100x0.1mm
b	28.09.011	xx	Shim	Shim	Rondelle de réglage	Paßscheibe	80x100x0.3mm
c	28.09.012	xx	Shim	Shim	Rondelle de réglage	Paßscheibe	80x100x0.5mm
35a	28.09.014	xx	Pakking	Gasket	Joint d'étanchéité	Dichtung	0.3mm
b	28.09.015	xx	Pakking	Gasket	Joint d'étanchéité	Dichtung	0.5mm
36a	28.09.017	xx	Pakking	Gasket	Joint d'étanchéité	Dichtung	0.3mm
b	28.09.018	xx	Pakking	Gasket	Joint d'étanchéité	Dichtung	0.5mm
37	17.01.014	1	Keerring	Seal ring	Joint d'étanchéité	Simmerring	40x80x10
38	10.02.114	4	Zeskanttapbout	Bolt	Vis	Sechskantschraube	M10x12-8.8
39	10.04.209	2	Zeskantbout	Bolt	Vis	Sechskantschraube	M16x55-8.8
40	28.80.080	1	Montagesteun	Support	Support	Stütze	
41	11.05.016	2	Borgmoer	Lock nut	Écrou autofreiné	Sicherungsmutter	M16

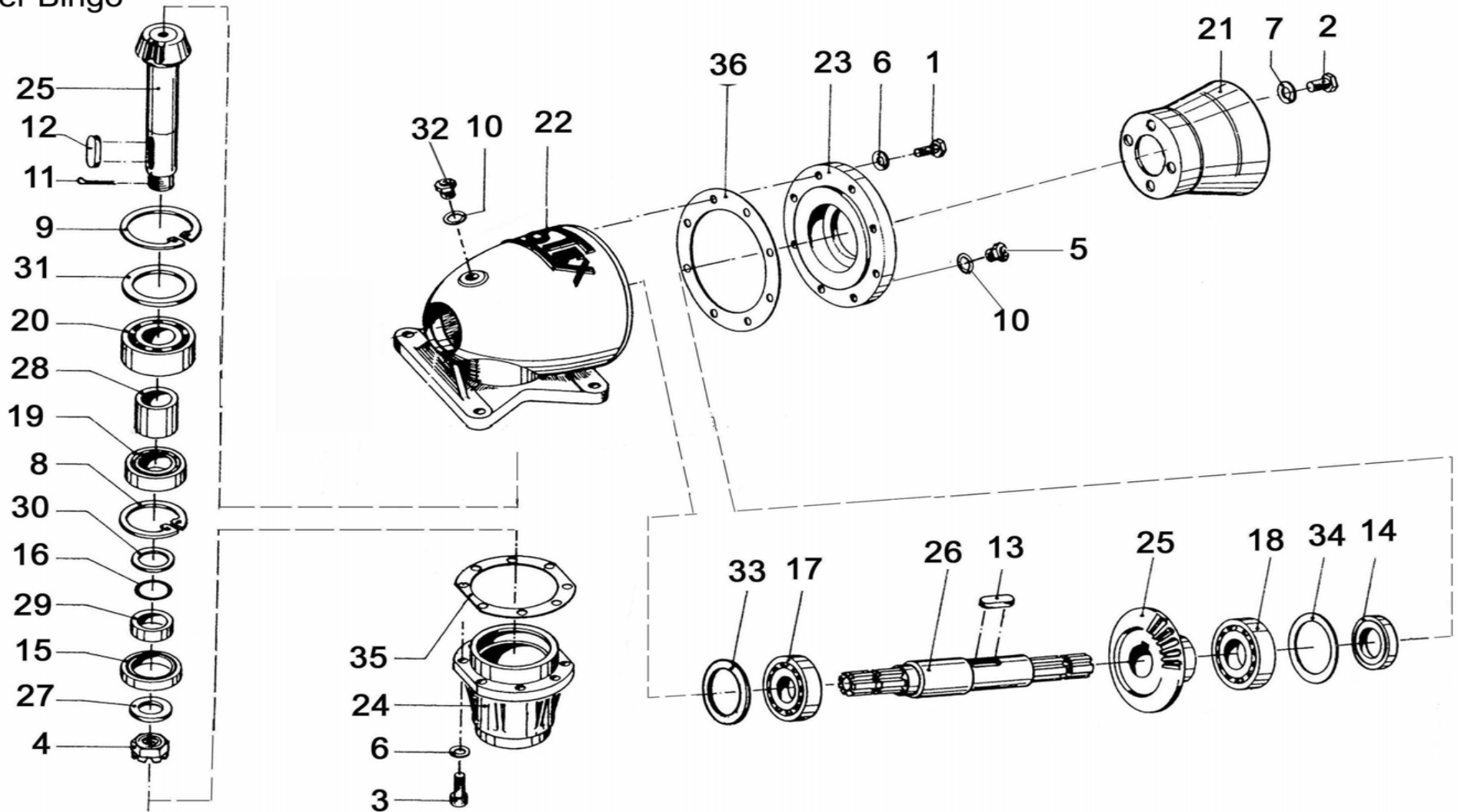
Votex
1: 2,6
Super Bingo

Tandwielkast 540 tpm

Gearbox 540 rpm

Boitier à renvoie
d' angle 540 rpm

Getriebe 540 u/min



Votex Super Bingo

1: 2,6

**Tandwielkast
540 tpm****Drive 540 rpm****Boitier à renvoie
d'angle 540 rpm****Getriebe 540 u/min**

<u>no.</u>	<u>onderdeel nummer</u>	<u>aantal</u>	<u>Omschrijving</u>	<u>Discription</u>	<u>Designation</u>	<u>Beschreibung</u>	<u>technische info</u>
1-37	28.01.042		Tandwielkast	Gearbox	Boitier à renvoie d'angle	Getriebe	DGA 1:2.6
1	10.02.092		Zeskanttapbout	Bolt	Vis	Sechskantschraube	M8x30-8.8
2	10.02.116	8	Zeskanttapbout	Bolt	Vis	Sechskantschraube	M10x16-8.8
3	10.28.092	4	Cilinderkopschroef	Cilinderheadscrew	Vis à tête cylindrique	Zylinderkopfschraube	M8x30
4	11.09.430	8	Kroonmoer	Castle nut	Écrou à crénaux	Kronenmutter	M30x2
5	11.11.318	1	Kraagplug	Plug	Bouchon fileté	Verschlüßschraube	M18x1.5
6	12.01.008	1	Veerring	Spring washer	Rondelle grower	Federring	M8
7	12.11.010	16	Sluistring	Washer	Rondelle	Unterlegscheibe	M10
8	12.31.080	8	Zekeringsring	Circlip	Circlip	Sicherungsringe	80x2.5
9	12.31.090	1	Zekeringsring	Circlip	Circlip	Sicherungsringe	90x3
10	13.02.004	1	Koperring	Copper washer	Rondelle en cuivre	Kupferring	18x24x1.5
11	14.30.063	1	Splitpen	Split pin	Goupille fendue	Splinte	6.3x63-94
12	15.08.060	1	Inlegspie	Sunk key	Clavette	Paßfeder	12x8x60-
13	15.09.050	2	Inlegspie	Sunk key	Clavette	Paßfeder	14x9x50-
14	17.01.026	2	Keerring	Seal ring	Joint d'étanchéité	Simmerring	45x80x13
15	17.01.027	1	Keerring	Seal ring	Joint d'étanchéité	Simmerring	52x80x13
16	17.02.005	1	O-ring	O-ring	Joint torique	O-ring	40x3
17	18.01.010	1	Kogellager	Ball bearing	Roulement à billes	Kugellager	6308
18	18.01.011	1	Kogellager	Ball bearing	Roulement à billes	Kugellager	6309
19	18.07.002	1	Cilinderlager	Cilinder bearing	Roulement de cylindre	Zylinderlager	NJ-2208ECP
20	18.10.002	1	Kogellager	Ball bearing	Roulement à billes	Kugellager	3308ATN9
21	27.10.148	1	Afscherming	PTO shaft guard	Protection transmission	GelenkwelleSchutz	82.24
22	28.02.050	2	Tandwielkasthuis	Gearbox case	Boitier	Getriebegehäuse	
23	28.03.030	1	Tandwielkastdeksel	Gearbox cover	Couvercle	Getriebedeckel	
24	28.04.010	1	Lagerhuis	Bearing flange	Cage de roulements	Lagerflansch	
25	28.05.022	1	Pignonas+kegelwiel	Crownwheel+pignon	Jeu de pignons d'angle	Kegelradsatz	1: 2,6
26	28.06.005	1	Aandrijfás	Drive shaft	Arbre d'entraînement	Antriebachse	
27	28.07.005	1	Afstandsring	Distance ring	Rondelle d'entretoise	Distanzring	
28	28.07.036	1	Afstandsbus	Distance bush	Bague d'entretoise	Distanzbüchse	
29	28.07.007	1	Afstandsbus	Distance bush	Bague d'entretoise	Distanzbüchse	
30	28.07.008	1	Steunring	Reinforcing ring	Rondelle de support	Stützscheibe	40X50X2.5
		1					

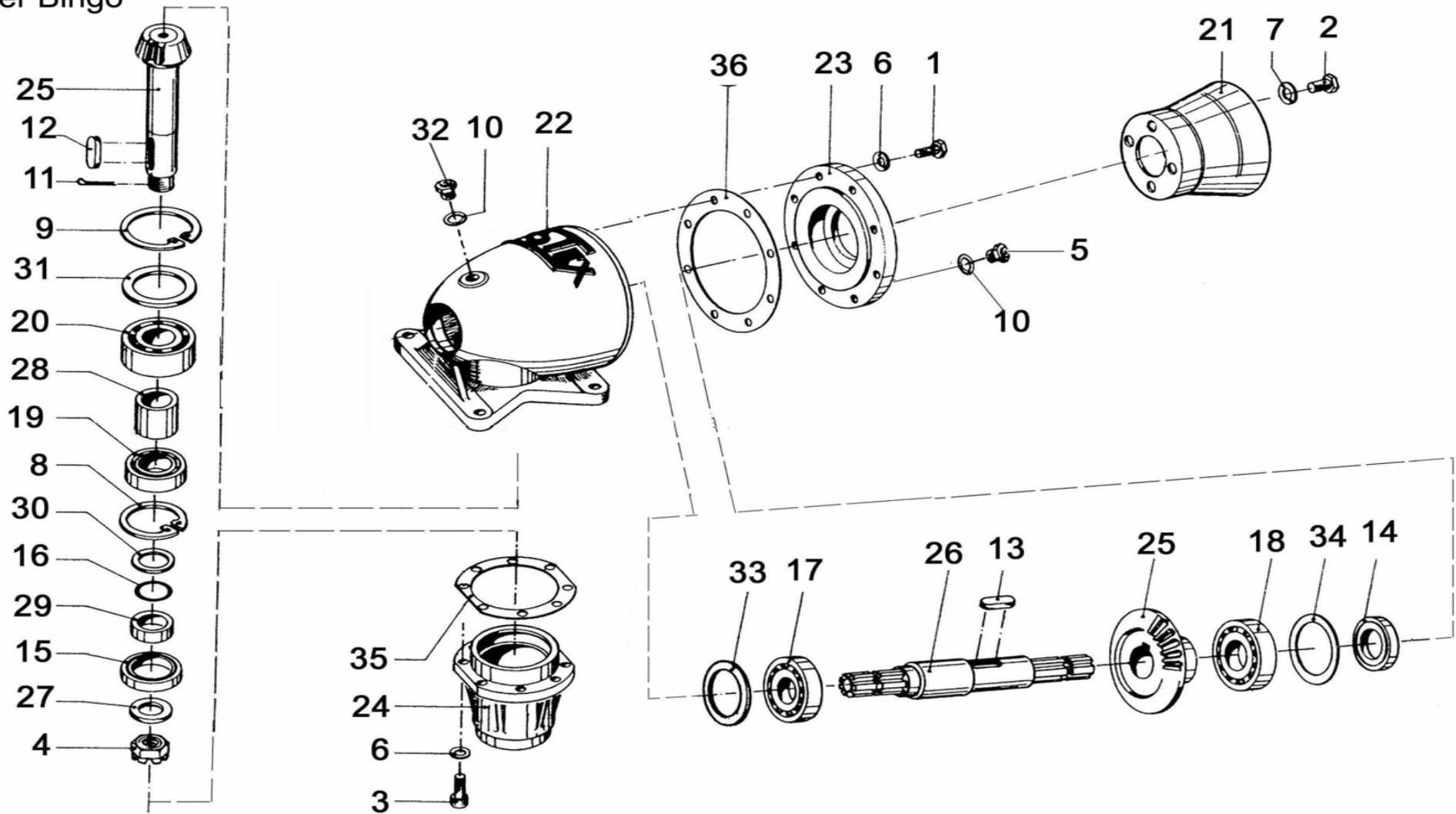
Votex
1: 2,6
Super Bingo

Tandwielkast 540 tpm

Gearbox 540 rpm

Boitier à renvoie
d' angle 540 rpm

Getriebe 540 u/min



Votex Super Bingo

1: 2,6

Tandwielkast
540 tpm

Drive 540 rpm

Boitier à renvoie
d'angle 540 rpm

Getriebe 540 u/min

<u>no.</u>	<u>onderdeel nummer</u>	<u>aantal</u>	<u>Omschrijving</u>	<u>Discription</u>	<u>Designation</u>	<u>Beschreibung</u>	<u>technische info</u>
31	28.07.009	1	Steunring	Reinforcing ring	Rondelle de support	Stützscheibe	70X90X3.5
32	28.08.001	1	Ontluchtingsnippel	Air release nipple	Reniffard d'air	Entlüfter	M18x1.5
33a	28.09.007	xx	Shim	Shim	Rondelle de réglage	Paßscheibe	70x90x0.1mm
b	28.09.008	xx	Shim	Shim	Rondelle de réglage	Paßscheibe	70x90x0.3mm
c	28.09.009	xx	Shim	Shim	Rondelle de réglage	Paßscheibe	70x90x0.5mm
34a	28.09.010	xx	Shim	Shim	Rondelle de réglage	Paßscheibe	80x100x0.1mm
b	28.09.011	xx	Shim	Shim	Rondelle de réglage	Paßscheibe	80x100x0.3mm
c	28.09.012	xx	Shim	Shim	Rondelle de réglage	Paßscheibe	80x100x0.5mm
35a	28.09.014	xx	Pakking	Gasket	Joint d'étanchéité	Dichtung	0.3mm
b	28.09.015	xx	Pakking	Gasket	Joint d'étanchéité	Dichtung	0.5mm
36a	28.09.017	xx	Pakking	Gasket	Joint d'étanchéité	Dichtung	0.3mm
b	28.09.018	xx	Pakking	Gasket	Joint d'étanchéité	Dichtung	0.5mm
37	17.01.014	1	Keerring	Seal ring	Joint d'étanchéité	Simmerring	40x80x10
38	10.02.114	4	Zeskanttapbout	Bolt	Vis	Sechskantschraube	M10x12-8.8
39	10.04.209	2	Zeskantbout	Bolt	Vis	Sechskantschraube	M16x55-8.8
40	28.80.080	1	Montagesteun	Support	Support	Stütze	
41	11.05.016	2	Borgmoer	Lock nut	Écrou autofreiné	Sicherungsmutter	M16

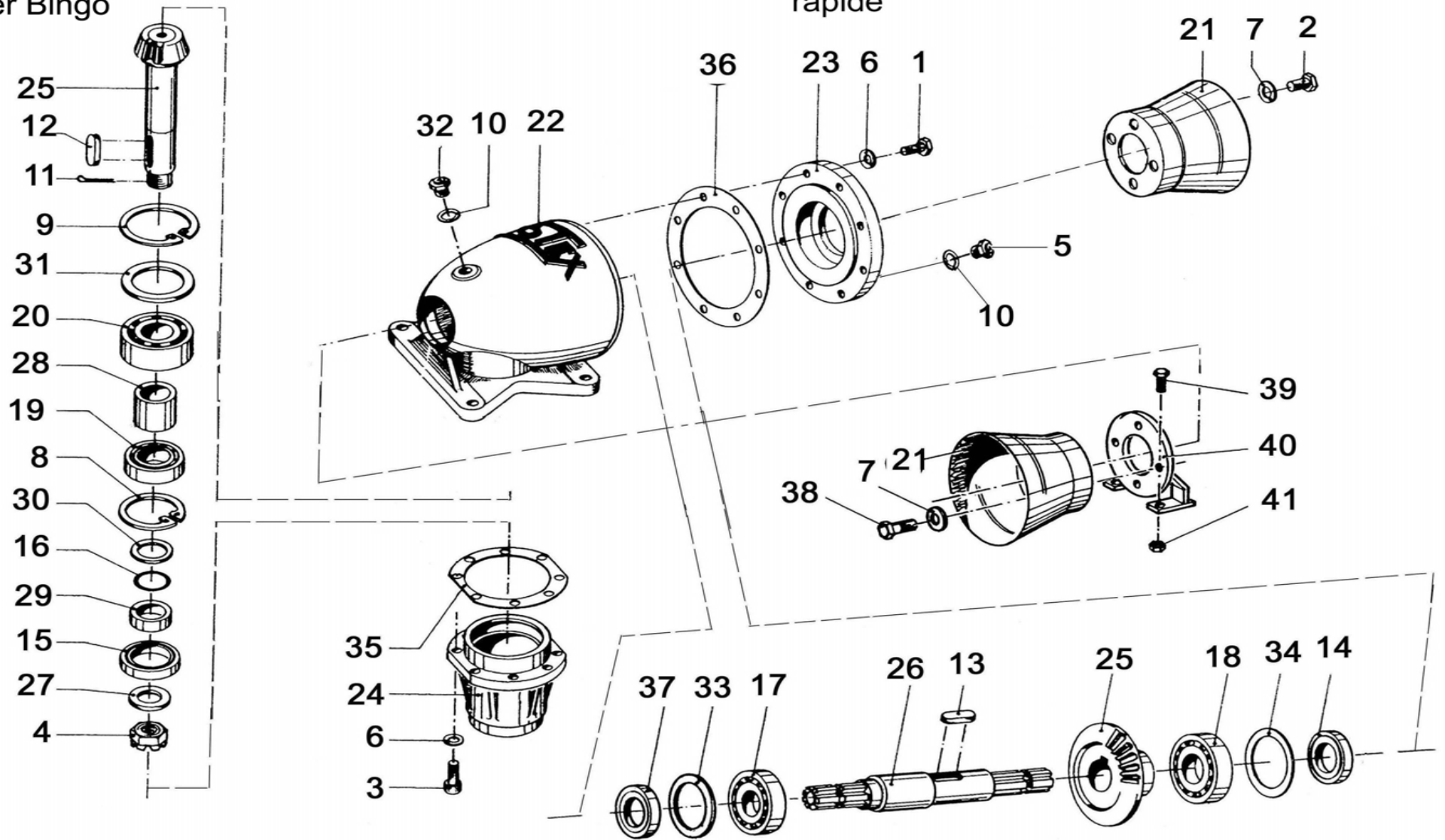
Votex
1:3,1
Super Bingo

Tandwielkast 540 tpm
snel

Gearbox 540 rpm
fast

Boitier à renvoie
d'angle 540 rpm
rapide

Getriebe 540 u/min
schnell



Votex Super Bingo
1: 3,1

Tandwielkast
540 tpm

Drive 540 rpm

Boitier à renvoie
d'angle 540 rpm

Getriebe 540 u/min

<u>no.</u>	<u>onderdeel</u> <u>nummer</u>	<u>aantal</u>	<u>Omschrijving</u>	<u>Discription</u>	<u>Designation</u>	<u>Beschreibung</u>	<u>technische info</u>
1-37	28.01.043		Tandwielkast	Gearbox	Boitier à renvoie d'angle	Getriebe	DGA 1:3.1
1	10.02.092	8	Zeskanttapbout	Bolt	Vis	Sechskantschraube	M8x30-8.8
2	10.02.116	4	Zeskanttapbout	Bolt	Vis	Sechskantschraube	M10x16-8.8
3	10.28.092	8	Cilinderkopschroef	Cilinderheadscrew	Vis à tête cilindrique	Zylinderkopfschraube	M8x30
4	11.09.430	1	Kroonmoer	Castle nut	Écrou à crénaux	Kronenmutter	M30x2
5	11.11.318	1	Kraagplug	Plug	Bouchon fileté	Verschlüßschraube	M18x1.5
6	12.01.008	16	Veerring	Spring washer	Rondelle grower	Federring	M8
7	12.11.010	8	Sluitring	Washer	Rondelle	Unterlegscheibe	M10
8	12.31.080	1	Zekeringsring	Circlip	Circlip	Sicherungsringe	80x2.5
9	12.31.090	1	Zekeringsring	Circlip	Circlip	Sicherungsringe	90x3
10	13.01.001	1	Fiberring	Seal ring	Rondelle joint	Dichtungsring	18x24x1
11	14.30.063	1	Splitpen	Split pin	Goupille fendue	Splinte	6.3x63-94
12	15.08.060	2	Inlegspie	Sunk key	Clavette	Paßfeder	12x8x60-
13	15.09.050	2	Inlegspie	Sunk key	Clavette	Paßfeder	14x9x50-
14	17.01.026	1	Keerring	Seal ring	Joint d'étanchéité	Simmerring	45x80x13
15	17.01.027	1	Keerring	Seal ring	Joint d'étanchéité	Simmerring	52x80x13
16	17.02.005	1	O-ring	O-ring	Joint torique	O-ring	40x3
17	18.01.010	1	Kogellager	Ball bearing	Roulement à billes	Kugellager	6308
18	18.01.011	1	Kogellager	Ball bearing	Roulement à billes	Kugellager	6309
19	18.07.002	1	Cilinderlager	Cilinder bearing	Roulement de cylindre	Zylinderlager	NJ-2208ECP
20	18.10.002	1	Kogellager	Ball bearing	Roulement à billes	Kugellager	3308ATN9
21	27.10.148	2	Afscherming	PTO shaft guard	Protection transmission	GelenkwelleSchutz	82.24
22	28.02.050	1	Tandwielkasthuis	Gearbox case	Boitier	Getriebegehäuse	
23	28.03.030	1	Tandwielkastdeksel	Gearbox cover	Couvercle	Getriebedeckel	
24	28.04.010	1	Lagerhuis	Bearing flange	Cage de roulements	Lagerflansch	
25	28.05.024	1	Pignonas+kegelwiel	Crownwheel+pignon	Jeu de pignons d'angle	Kegelradsatz	1: 3,1
26	28.06.005	1	Aandrijfas	Drive shaft	Arbre d'entraînement	Antriebachse	
27	28.07.005	1	Afstandsring	Distance ring	Rondelle d'entretoise	Distanzring	
28	28.07.036	1	Afstandsbus	Distance bush	Bague d'entretoise	Distanzbüchse	
29	28.07.007	1	Afstandsbus	Distance bush	Bague d'entretoise	Distanzbüchse	
30	28.07.008	1	Steunring	Reinforcing ring	Rondelle de support	Stützscheibe	40X50X2.5

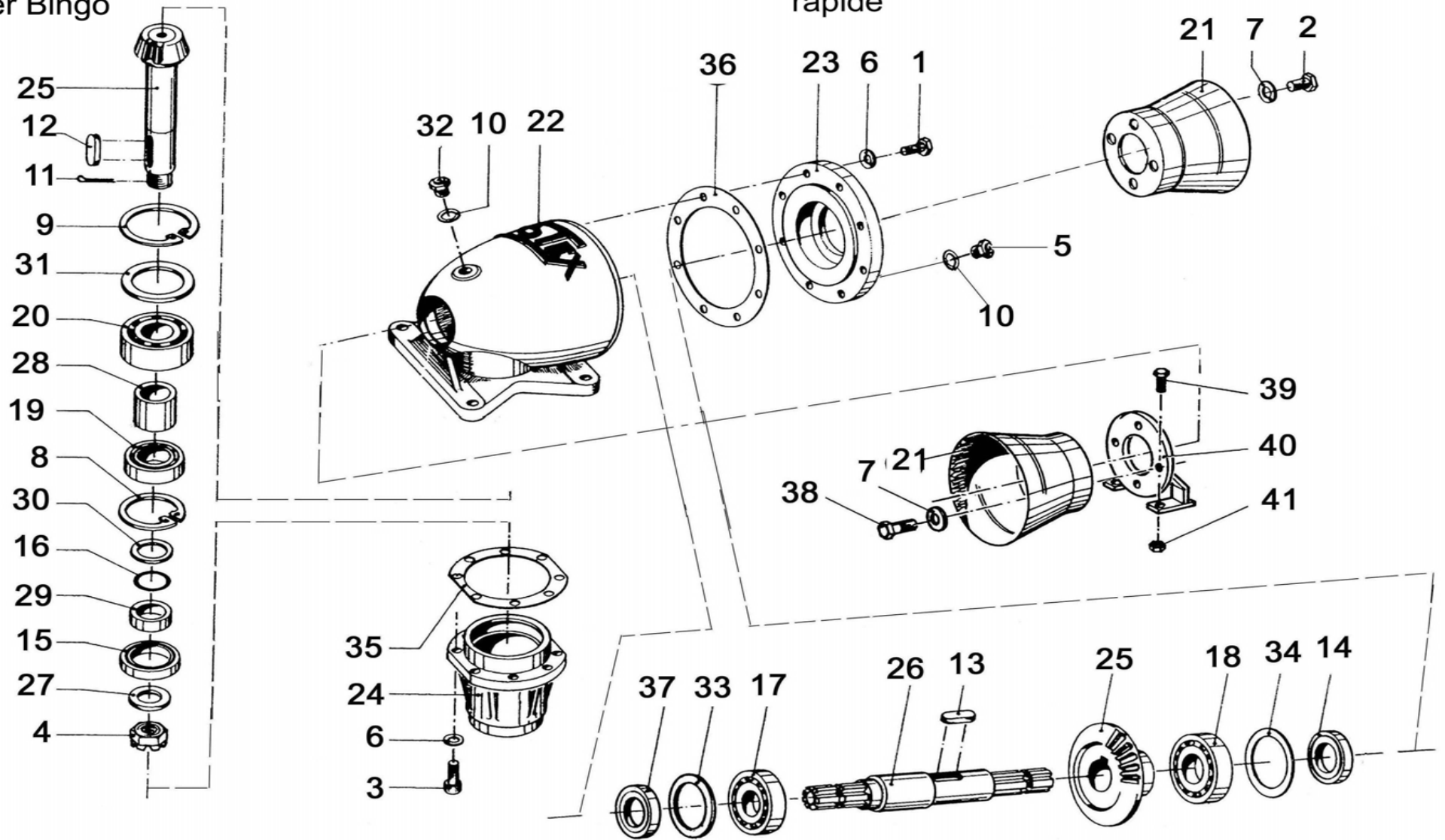
Votex
1:3,1
Super Bingo

Tandwielkast 540 tpm
snel

Gearbox 540 rpm
fast

Boitier à renvoie
d'angle 540 rpm
rapide

Getriebe 540 u/min
schnell



Votex Super Bingo
1: 3,1

Tandwielkast
540 tpm

Drive 540 rpm

Boitier à renvoie
d'angle 540 rpm

Getriebe 540 u/min

<u>no.</u>	<u>onderdeel nummer</u>	<u>aantal</u>	<u>Omschrijving</u>	<u>Discription</u>	<u>Designation</u>	<u>Beschreibung</u>	<u>technische info</u>
31	28.07.009	1	Steunring	Reinforcing ring	Rondelle de support	Stützscheibe	70X90X3.5
32	28.08.001	1	Ontluchtingsnippel	Air release nipple	Reniffard d'air	Entlüfter	M18x1.5
33a	28.09.007	xx	Shim	Shim	Rondelle de réglage	Paßscheibe	70x90x0.1mm
b	28.09.008	xx	Shim	Shim	Rondelle de réglage	Paßscheibe	70x90x0.3mm
c	28.09.009	xx	Shim	Shim	Rondelle de réglage	Paßscheibe	70x90x0.5mm
34a	28.09.010	xx	Shim	Shim	Rondelle de réglage	Paßscheibe	80x100x0.1mm
b	28.09.011	xx	Shim	Shim	Rondelle de réglage	Paßscheibe	80x100x0.3mm
c	28.09.012	xx	Shim	Shim	Rondelle de réglage	Paßscheibe	80x100x0.5mm
35a	28.09.014	xx	Pakking	Gasket	Joint d'étanchéité	Dichtung	0.3mm
b	28.09.015	xx	Pakking	Gasket	Joint d'étanchéité	Dichtung	0.5mm
36a	28.09.017	xx	Pakking	Gasket	Joint d'étanchéité	Dichtung	0.3mm
b	28.09.018	xx	Pakking	Gasket	Joint d'étanchéité	Dichtung	0.5mm
37	17.01.014	1	Keerring	Seal ring	Joint d'étanchéité	Simmerring	40x80x10
38	10.02.114	4	Zeskanttapbout	Bolt	Vis	Sechskantschraube	M10x12-8.8
39	10.04.209	2	Zeskantbout	Bolt	Vis	Sechskantschraube	M16x55-8.8
40	28.80.080	1	Montagesteun	Support	Support	Stütze	
41	11.05.016	2	Borgmoer	Lock nut	Écrou autofreiné	Sicherungsmutter	M16

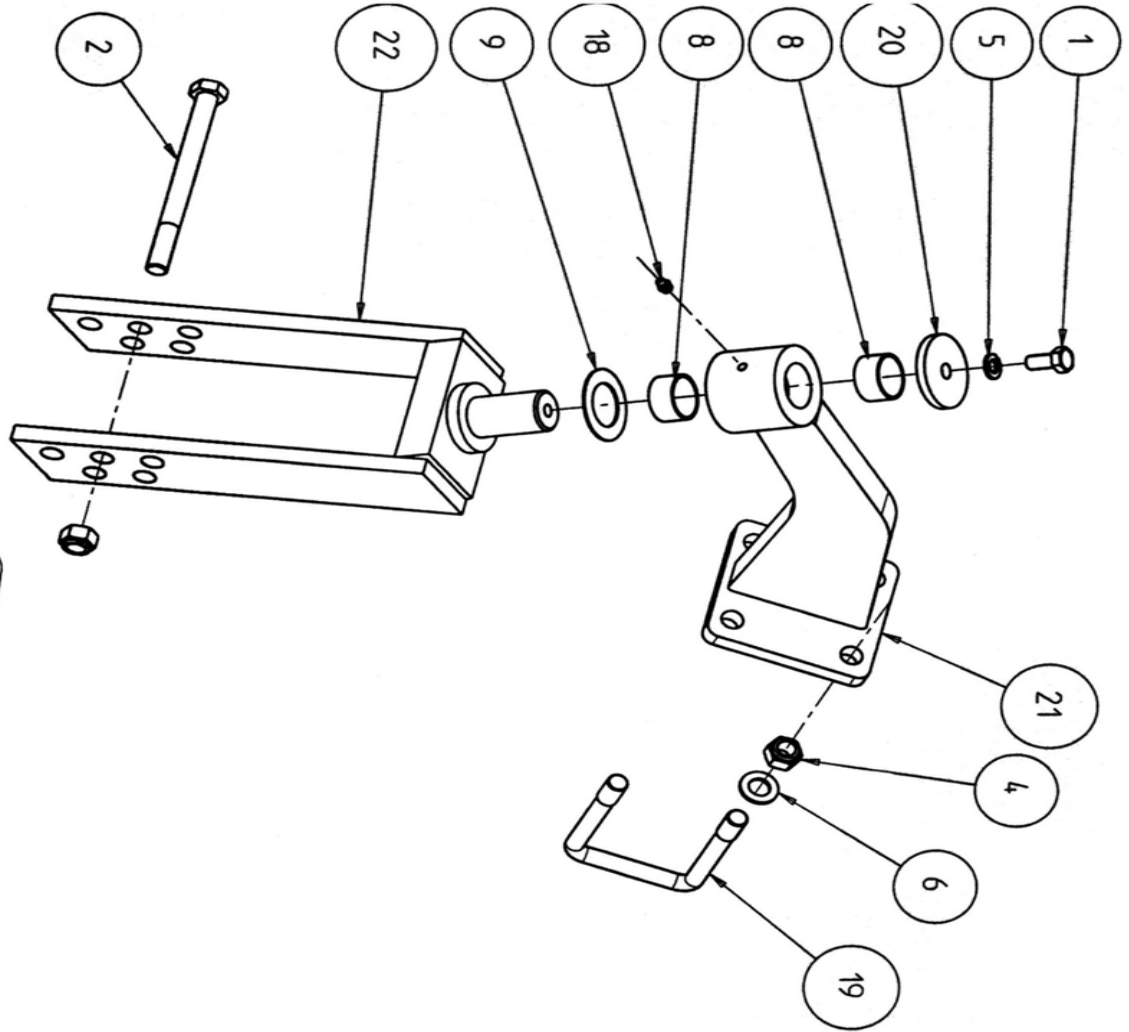
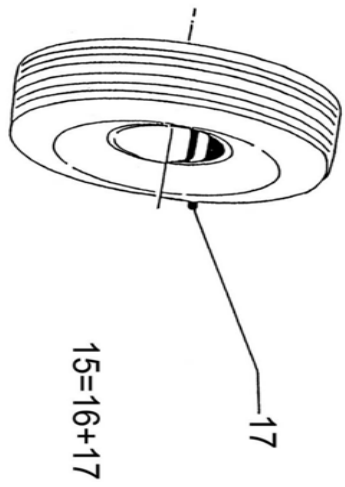
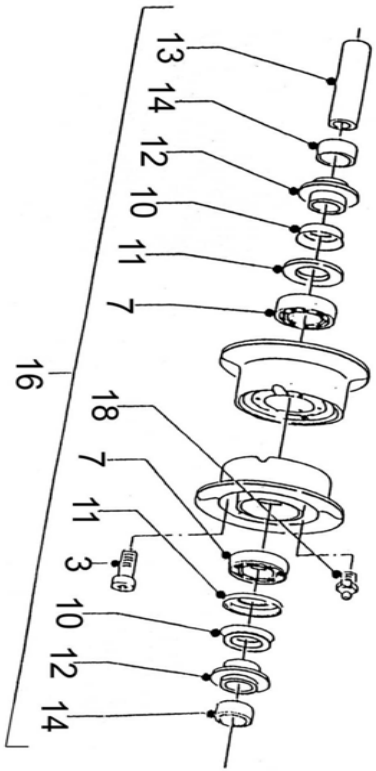
Votex
Super Bingo

Zwenkwiel

Swivelling wheel

Roue pivotante

Lenkrad



Votex Super Bingo

			Zwenkwiel	Swivelling wheel	Roue pivotante	Lenkrad	
<u>no.</u>	<u>onderdeel nummer</u>	<u>Aantal</u>	<u>Omschrijving</u>	<u>Discription</u>	<u>Designation</u>	<u>Beschreibung</u>	<u>technische info</u>
1	10.02.151	1	Zeskantapbout	Bolt	Vis	Sechskantschraube	M12x25-8.8
2	10.04.224	1	Zeskantbout	Bolt	Vis	Sechskantschraube	M16x180-8.8
3	10.08.092	4	Cilinderkopschroef	Cilinderheadscrew	Vis à tête cylindrique	Zylinderkopfschraube	M8x30
4	11.05.016	5	Borgmoer	Lock nut	Écrou autofreiné	Sicherungsmutter	M16
5	12.01.012	1	Veerring	Spring washer	Rondelle grower	Federring	M12
6	12.11.016	1	Sluitring	Washer	Rondelle	Unterlegscheibe	M16
7	18.01.001	2	Kogellager	Ball bearing	Roulement à billes	Kugellager	6005
8	18.15.061	2	Glijlager	Bush	Bague d'usure	Gleitlager	35.39.20A
9	18.15.062	1	Axiale schijf	Thrust washer	Disque d'usure	Anlaufscheibe	38.62.01,5A
10	20.02.034	2	Afdichting	Seal	Joint	Dichtung	V30a
11	20.02.010	2	Afdichting	Seal	Joint	Dichtung	HLW-005
12	20.02.011	2	Afdichting	Seal	Joint	Dichtung	
13	20.02.013	1	Wielas	Axle	Axe	Achse	WIELAS
14	20.02.019	2	Afstandsbus	Distance bush	Bague d'entretoise	Distanzbüchse	
15	20.02.048	1	Wiel cpl.	Wheel cpl.	Roue cpl.	Rad kpl.	400x4
16	20.02.045	1	Naaf cpl.	Boss cpl.	Moyeu cpl.	Nabe kpl.	NAAF KPL. 12x4
17	20.02.405	1	Band	Tire	Pneu	Reifen	MASSIEF12x4
18	20.03.003	2	Smeernippel	Grease nipple	Graisser	Schmiernippel	M8x1.25-180°
19	44.08.231	2	Strop	U bolt	Etrier	Klemmbügel	M16-8.8
20	44.10.220	1	Schijf	Disc	Disque de pression	Scheibe	
21	44.10.663	1	Wielophanging	Wheel suspension	Suspension de roue	Radaufhängung	
22	49.07.030	1	Wielvork	Wheel fork	Fourche de roue	Radgabel	

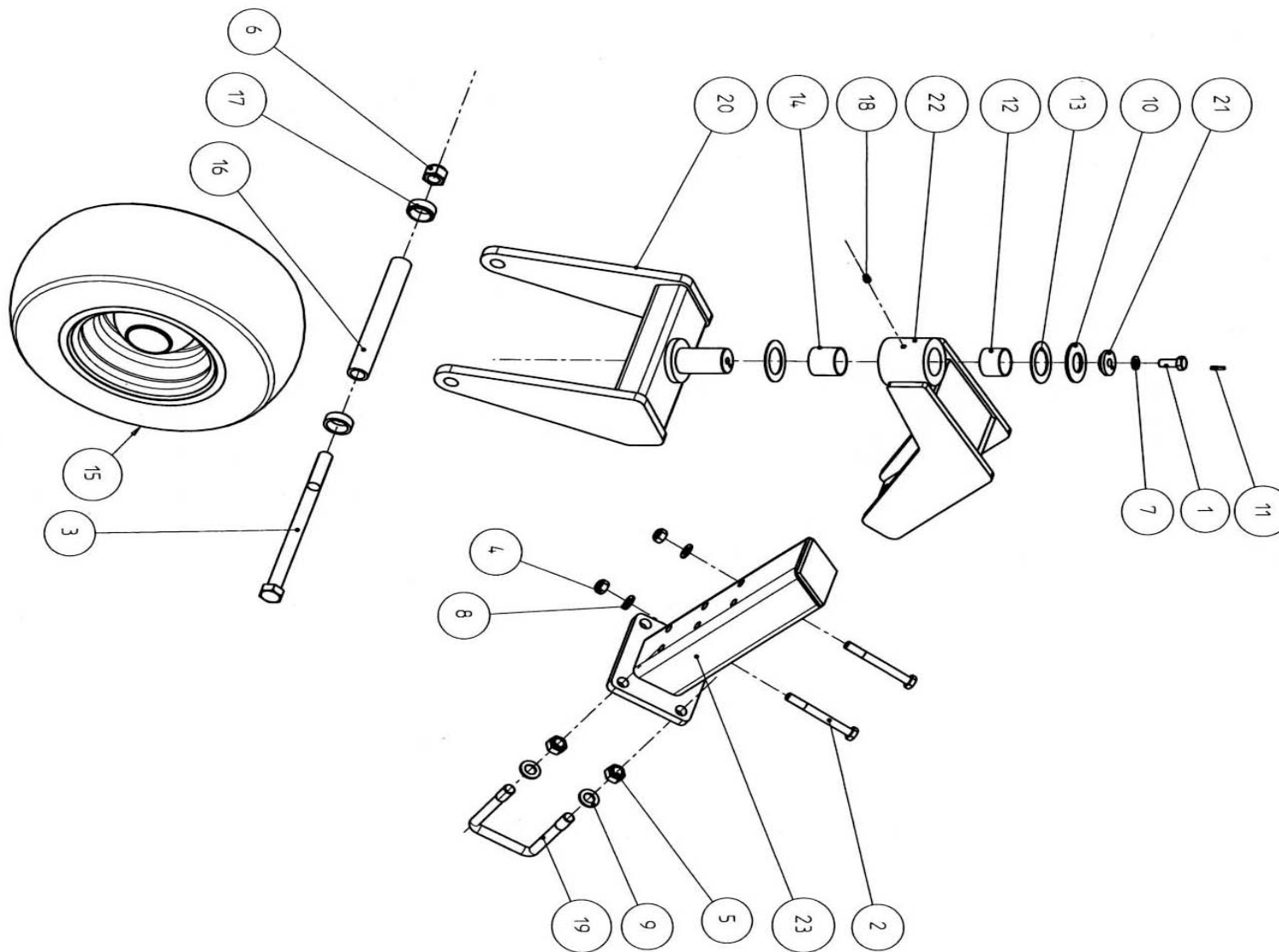
Votex
Super Bingo

Zwenkwiel

Swivelling wheel

Roue pivotante

Lenkrad



Votex Super Bingo

			Zwenkwiel	Swivelling wheel	Roue pivotante	Lenkrad	
<u>no.</u>	<u>onderdeel nummer</u>	<u>aantal</u>	<u>Omschrijving</u>	<u>Discription</u>	<u>Designation</u>	<u>Beschreibung</u>	<u>technische info</u>
1	10.02.152	1	Zeskantapbout	Bolt	Vis	Sechskantschraube	M12x30-8.8
2	10.04.166	2	Zeskantbout	Bolt	Vis	Sechskantschraube	M12x110-8.8
3	10.04.280	1	Zeskantbout	Bolt	Vis	Sechskantschraube	M20x280-8.8
4	11.05.012	2	Borgmoer	Lock nut	Écrou autofreiné	Sicherungsmutter	M12
5	11.05.016	4	Borgmoer	Lock nut	Écrou autofreiné	Sicherungsmutter	M16
6	11.05.020	1	Borgmoer	Lock nut	Écrou autofreiné	Sicherungsmutter	M20
7	12.01.012	1	Veerring	Spring washer	Rondelle grower	Federring	M12
8	12.11.012	2	Sluitring	Washer	Rondelle	Unterlegscheibe	M12
9	12.11.016	4	Sluitring	Washer	Rondelle	Unterlegscheibe	M16
10	12.40.031	1	Schotelveer	Disc spring	Rondelle ressort	Tellerfeder	63x31x3.5
11	14.09.020	1	Spanstift	Clamping bush	Goupille elastique	Spannstifte	5x20
12	18.15.050	1	Glijlager	Bush	Bague d'usure	Gleitlager	40.44.30A
13	18.15.051	2	Axiale schijf	Thrust washer	Disque d'usure	Anlaufscheibe	42.66.01,5A
14	18.15.057	1	Glijlager	Bush	Bague d'usure	Gleitlager	40.44.40A
15	20.02.086	1	Wiel cpl.	Wheel cpl.	Roue cpl.	Rad kpl.	LP190-8/6pr
16	20.02.073	1	Wielas	Axle	Axe	Achse	
17	20.02.087	2	Afstandsbus	Distance bush	Bague d'entretoise	Distanzbüchse	
18	20.03.003	1	Smeernippel	Grease nipple	Graisneur	Schmiernippel	M8x1.25-180°
19	44.08.231	2	Strop	U bolt	Etrier	Klemmbügel	M16-8.8
20	44.10.212	1	Wielvork	Wheel fork	Fourche de roue	Radgabel	190x8
21	44.10.600	1	Blokkeerschijf	Blocking disc	Disque de blockage	Blockier scheibe	
22	44.10.613	1	Wielframe	Wheelframe	Châssis de roue	Rad rahmen	
23	44.10.666	1	Wielophanging	Wheel suspension	Suspension de roue	Radaufhängung	

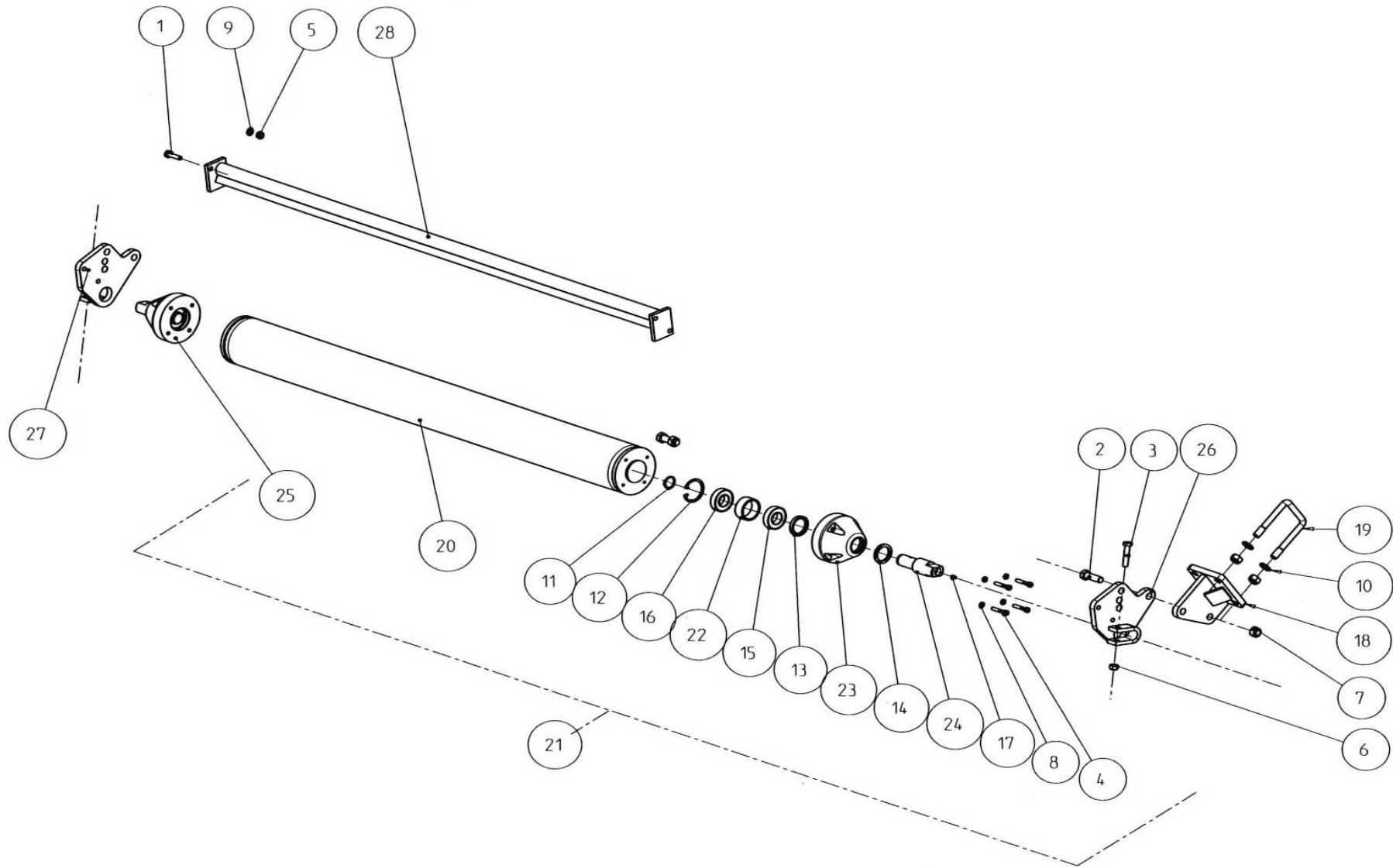
Votex Super Bingo

Looprol

Roller

Rouleau

Laufrolle



Votex Super Bingo

no.	onderdeel nummer	breedte in mm						Looprol	Roller	Rouleau	Laufrolle	technische info
		650	890	1250	1610	1970	2330	Omschrijving	Discription	Designation	Beschreibung	
1-28	44.07.013	1						Looprol set cpl.	Roller set cpl.	Ens. rouleau+fixations	Laufwalze satz kpl.	L=650/D133
1-28	44.07.014		1					Looprol set cpl.	Roller set cpl.	Ens. rouleau+fixations	Laufwalze satz kpl.	L=890/D133
1-28	44.07.015			1				Looprol set cpl.	Roller set cpl.	Ens. rouleau+fixations	Laufwalze satz kpl.	L=1250/D133
1-28	44.07.016				1			Looprol set cpl.	Roller set cpl.	Ens. rouleau+fixations	Laufwalze satz kpl.	L=1610/D133
1-28	44.07.017					1		Looprol set cpl.	Roller set cpl.	Ens. rouleau+fixations	Laufwalze satz kpl.	L=1970/D133
1-28	44.07.018						1	Looprol set cpl.	Roller set cpl.	Ens. rouleau+fixations	Laufwalze satz kpl.	L=2330/D133
1	10.02.123	4	4	4	4	4	4	Zeskanttapbout	Bolt	Vis	Sechskantschraube	M10x40-8.8
2	10.02.208	4	4	4	4	4	4	Zeskanttapbout	Bolt	Vis	Sechskantschraube	M16x50-8.8
3	10.04.158	2	2	2	2	2	2	Zeskantbout	Bolt	Vis	Sechskantschraube	M12x60-8.8
4	10.28.595	8	8	8	8	8	8	Cilinderkopschroef	Cilinderheadscrew	Vis à tête cilindrique	Zylinderkopfschraube	M8x45-12.9
5	11.05.010	4	4	4	4	4	4	Borgmoer	Lock nut	Écrou autofreiné	Sicherungsmutter	M10
6	11.05.012	2	2	2	2	2	2	Borgmoer	Lock nut	Écrou autofreiné	Sicherungsmutter	M12
7	11.05.016	12	12	12	12	12	12	Borgmoer	Lock nut	Écrou autofreiné	Sicherungsmutter	M16
8	12.01.008	8	8	8	8	8	8	Veerring	Spring washer	Rondelle grower	Federring	M8
9	12.11.010	4	4	4	4	4	4	Sluitring	Washer	Rondelle	Unterlegscheibe	M10
10	12.11.016	8	8	8	8	8	8	Sluitring	Washer	Rondelle	Unterlegscheibe	M16
11	12.30.030	2	2	2	2	2	2	Zekeringsring	Circlip	Circlip	Sicherungsringe	30x1.5
12	12.31.062	2	2	2	2	2	2	Zekeringsring	Circlip	Circlip	Sicherungsringe	62x2
13	17.01.045	2	2	2	2	2	2	Keerring	Seal ring	Joint d'étanchéité	Simmerring	40x55x8
14	17.05.007	2	2	2	2	2	2	Viltring	Felt ring	Joint de feutre	Filzdichtung	
15	18.01.005	2	2	2	2	2	2	Kogellager	Ball bearing	Roulement à billes	Kugellager	6206
16	18.04.007	2	2	2	2	2	2	Kogellager	Ball bearing	Roulement à billes	Kugellager	6206-RS1
17	20.03.003	2	2	2	2	2	2	Smeernippel	Grease nipple	Graisseur	Schmiernippel	M8x1.25-180°
18	44.07.420	2	2	2	2	2	2	Looprolphanging	Roller suspension	Suspension de rouleau	Laufrolle afhängung	
19	44.08.231	4	4	4	4	4	4	Strop	U bolt	Etrier	Klemmbügel	M16-8.8
20	49.05.161	1						Looprolbuis	Roller tube	Tube de rouleau	Laufwalze rohr	133/432
	49.05.233		1					Looprolbuis	Roller tube	Tube de rouleau	Laufwalze rohr	133/672
	45.05.512			1				Looprolbuis	Roller tube	Tube de rouleau	Laufwalze rohr	133/1250
	45.05.522				1			Looprolbuis	Roller tube	Tube de rouleau	Laufwalze rohr	133/1392
	45.05.532					1		Looprolbuis	Roller tube	Tube de rouleau	Laufwalze rohr	133/1752
	45.05.542						1	Looprolbuis	Roller tube	Tube de rouleau	Laufwalze rohr	133/2112

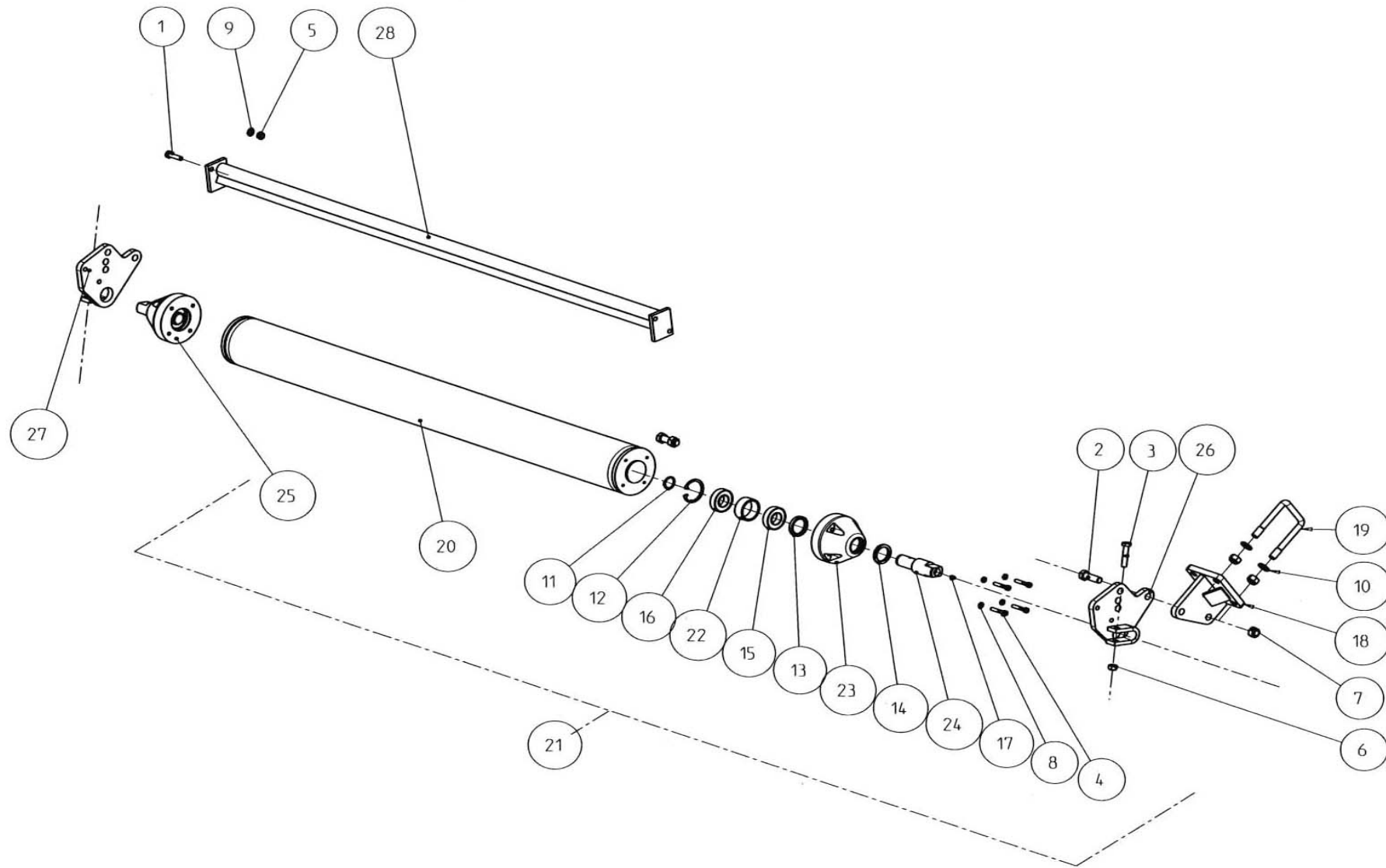
Votex Super Bingo

Looprol

Roller

Rouleau

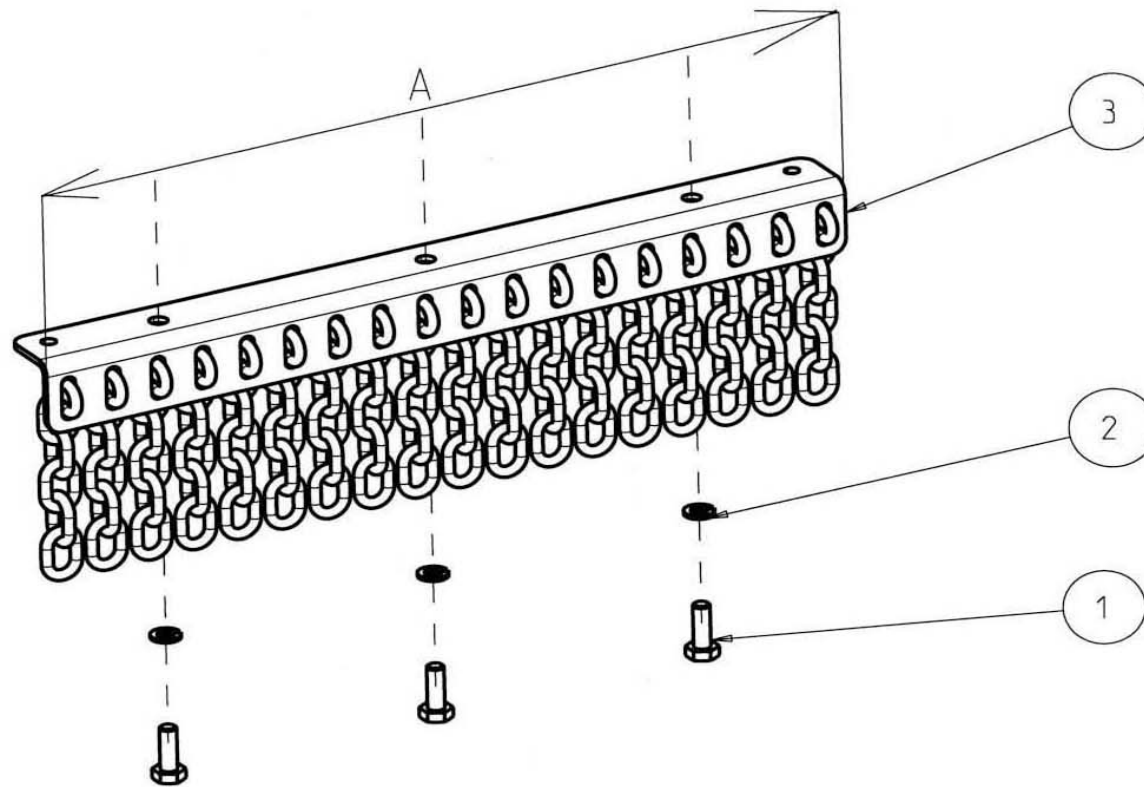
Laufrolle



Votex Super Bingo

no.	onderdeel nummer	breedte in mm						Looprol	Roller	Rouleau	Laufrolle	technische info
		650	890	1250	1610	1970	2330	Omschrijving	Discription	Designation	Beschreibung	
21	49.05.171	1						Looprol cpl.	Roller cpl.	Rouleau cpl.	Laufwalze kpl.	D40/L650
	49.05.236		1					Looprol cpl.	Roller cpl.	Rouleau cpl.	Laufwalze kpl.	L=890
	45.05.517			1				Looprol cpl.	Roller cpl.	Rouleau cpl.	Laufwalze kpl.	D40/L1250
	45.05.527				1			Looprol cpl.	Roller cpl.	Rouleau cpl.	Laufwalze kpl.	D40/L1610
	45.05.537					1		Looprol cpl.	Roller cpl.	Rouleau cpl.	Laufwalze kpl.	D40/L1970
	45.05.547						1	Looprol cpl.	Roller cpl.	Rouleau cpl.	Laufwalze kpl.	D40/L2330
22	45.05.650	2	2	2	2	2	2	Afstandsbus	Distance bush	Bague d'entretoise	Distanzbüchse	
23	45.05.733	2	2	2	2	2	2	Looprolprop	Roller plug	Cône à roulements	Laufwalzepfropfenn	
24	45.05.736	2	2	2	2	2	2	Looprolas	Roller shaft	Arbre	Laufwalze welle	
25	45.05.740	2	2	2	2	2	2	Looprolprop cpl.	Roller plug cpl.	Cône à roulements cpl.	Laufwalzepfropfenn kpl.	
26	49.05.044	1	1	1	1	1	1	Rolhouder rechts	Roller support right	Support de rouleau droite	Laufwalzestutz rechts	
27	49.05.054	1	1	1	1	1	1	Rolhouder links	Roller support left	Support de rouleau gauche	Laufwalzestutz links	
28	49.05.100	1						Schraper	Scraper	Racloire	Schürfleiste	LR-650
	49.05.230		1					Schraper	Scraper	Racloire	Schürfleiste	LR-890
	49.05.060			1				Schraper	Scraper	Racloire	Schürfleiste	LR-1250
	49.05.070				1			Schraper	Scraper	Racloire	Schürfleiste	LR-1610
	49.05.080					1		Schraper	Scraper	Racloire	Schürfleiste	LR-1970
	49.05.090						1	Schraper	Scraper	Racloire	Schürfleiste	LR-2330

Votex Super Bingo Kettingafscherming Chain protection Protection de chaine Kettenschutz



Votex Super Bingo

Kettingafscherming

Chain protection

Protection de chaine

Kettenschutz

no.	<u>onderdeel</u>		<u>type</u>					<u>Omschrijving</u>	<u>Discription</u>	<u>Designation</u>	<u>Beschreibung</u>	<u>technische info</u>
	<u>nummer</u>	<u>2-170</u>	<u>3-220</u>	<u>3-260</u>	<u>3-300</u>	<u>4-345</u>	<u>5-475</u>					
1	10.02.120	12	18	18	18	24	30	Zeskantapbout	Bolt	Vis	Sechskantschraube	M10x25-8.8
2	12.01.010	12	18	18	18	24	30	Veerring	Spring washer	Rondelle grower	Federring	M10
3	44.05.350				6		10	Kettingafscherming	Chain protection	Protection de chaine	Kettenschutzblech	970L
	44.05.356	4		6		8		Kettingafscherming	Chain protection	Protection de chaine	Kettenschutzblech	880L
	49.08.091		6					Kettingafscherming	Chain protection	Protection de chaine	Kettenschutzblech	L=685 V

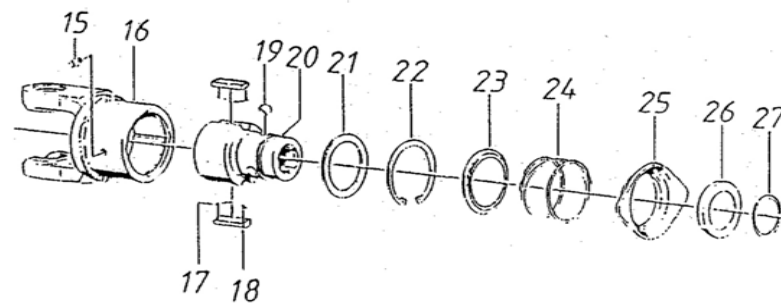
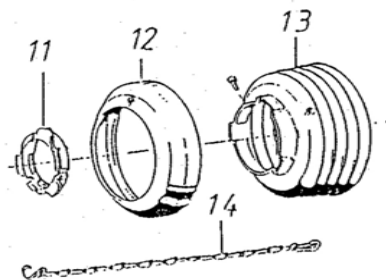
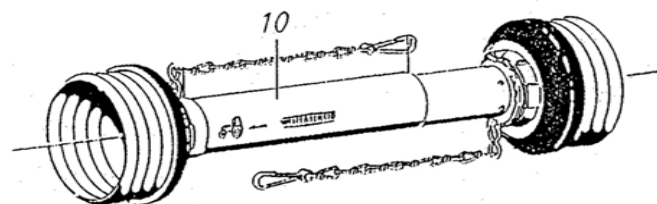
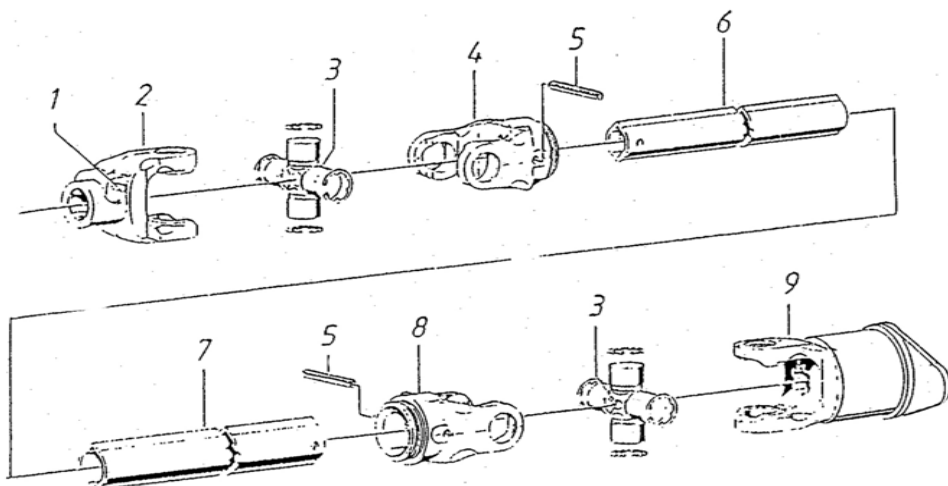
Votex

Kruiskoppelingsas

PTO shaft

Transmision à cardan

Gelenkwelle



Votex Super Bingo

		Kruiskoppelingsas	PTO shaft	Transmission à cardan	Gelenkwelle		
<u>no.</u>	<u>onderdeel nummer</u>	<u>Aantal</u>	<u>Omschrijving</u>	<u>Discription</u>	<u>Designation</u>	<u>Beschreibung</u>	<u>technische info</u>
1-14	27.01.238	1	Kruiskoppelingsas +vrijloop	PTO shaft +freewheel	Transmission à cardan + roue libre	Gelenkwelle + freilauf	
1	27.10.099	1	Drukstift	Quick release pin	Poussoir de verrouillage rapide	Schiebestift	
2	27.10.093	1	Gaffel	Yoke	Mâchoire	Gabel	1.3/8
3	27.10.092	1	Kruisstuk cpl.	Cross and bearing kit cpl.	Croisillon cpl.	Kreuzgarnitur kpl.	
4	27.10.094	1	Gaffel	Yoke	Mâchoire	Gabel	
5	14.14.080	1	Spanstift	Clamping bush	Goupille elastique	Spannstifte	10x80
6	27.10.247	1	Binnenprofielbuis	Inner profile tube	Tube profilé intérieur	Inneres profilrohr	L=680mm
7	27.10.267	1	Buitenprofielbuis	Outer profile tube	Tube profilé extérieur	Äußeres profilrohr	2AG L=665mm
8	27.10.095	1	Gaffel	Yoke	Mâchoire	Gabel	
9	27.03.019	1	Palvrijloop rechts	Key type overrunning clutch r.	Roue libre à rochets à droite	Sperrkeil freilaufkupplung rechts	W2400F5/1R
10	27.02.023	1	Afscherming cpl.	PTO shaft guard cpl.	Protection cpl. Transmission	Gelenkwelleschutz kpl.	SD25/750
11	27.10.085	2	Glijring	Bearing ring	Bague de glissement	Gleitring	GLIJRING
12	27.10.151	2	Ring afscherming	Ring PTO shaft	Anneau protection transmission	Ring gelenkwelleschutz	
13	27.10.089	2	Afscherming	PTO shaft guard	Protection transmission	GelenkwelleSchutz	
14	27.10.051	2	Borgketting	Safety chain	Chaînette	Haltekette	
15-27	27.03.019	1	Palvrijloop rechts	Key type overrunning clutch r.	Roue libre à rochets à droite	Sperrkeil freilaufkupplung rechts	W2400F5/1R
15	27.10.119	1	Smeernippel	Grease nipple	Graisser	Schmiernippel	M8X1
16	27.10.117	1	Gaffel	Yoke	Mâchoire	Gabel	
17	27.10.120	2	Bladveer	Leafspring	Lame de ressort	Blattfeder	
18	27.10.121	2	Pal	Key	Rochet	Sperrkeil	
19	27.10.010	3	Kogel	Ball	Bille	Kugel	36923
20	27.10.122	1	Koppelingsnaaf	Coupling hub	Moyeu d'accouplement	Kupplungsnaabe	
21	27.10.123	1	Steunschijf	Washer	Rondelle	Scheibe	
22	12.31.072	1	Zekeringsring	Circlip	Circlip	Sicherungsringe	72x2.5
23	27.10.124	1	Steunring	Reinforcing ring	Rondelle de support	Stützscheibe	
24	27.10.020	1	Drukveer	Compression spring	Ressort de compression	Drückfeder	
25	27.10.119	1	Smeernippel	Grease nipple	Graisser	Schmiernippel	M8X1
26	27.10.125	1	Hoekring	Back-up ring	Bague d'arrêt	Winkelring	
27	27.10.126	1	Borgring	Snap ring	Circlips	Sprengring	